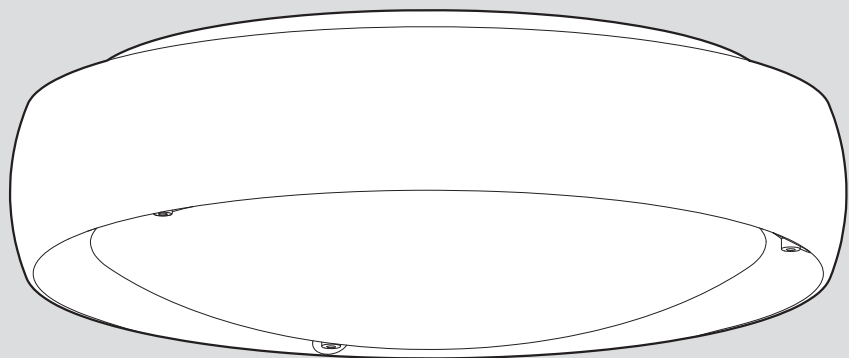


Artemide®

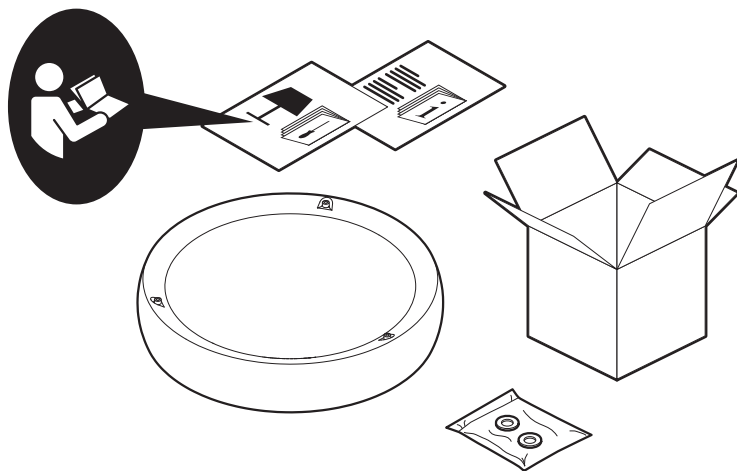
Niki

design
Ernesto Gismondi

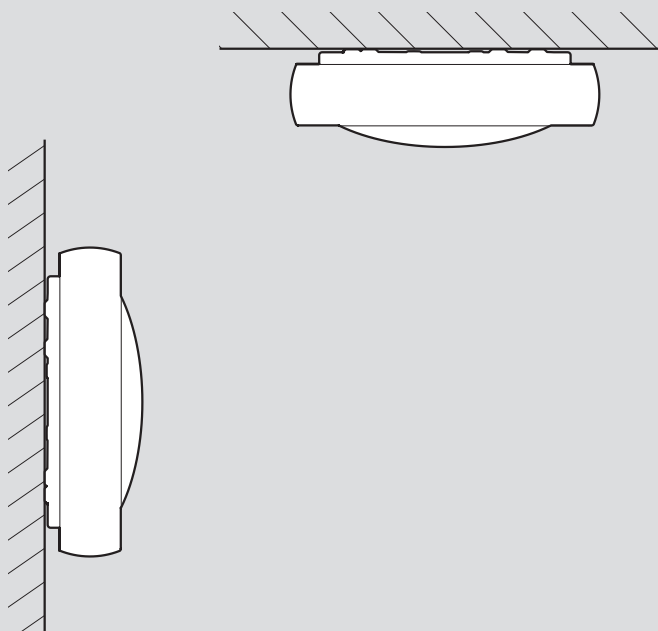




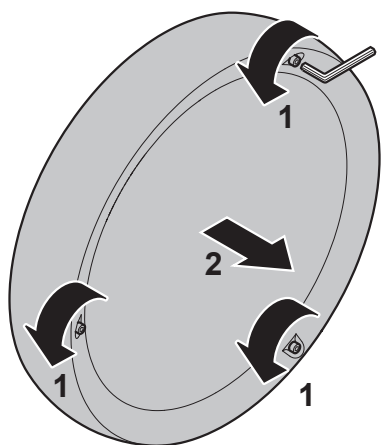
i

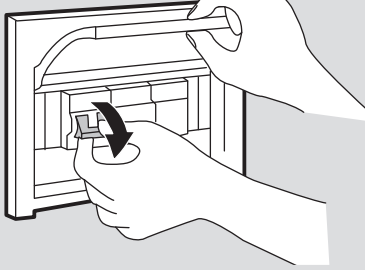
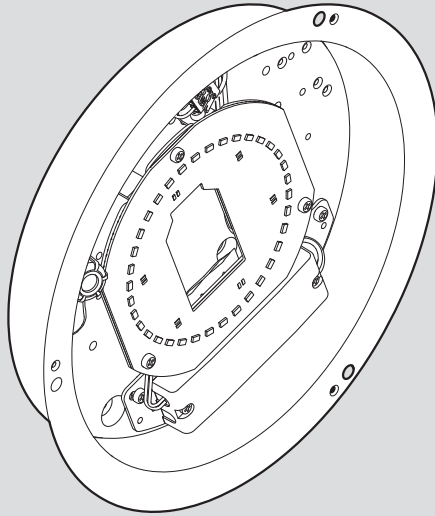


i

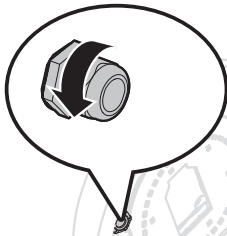


1

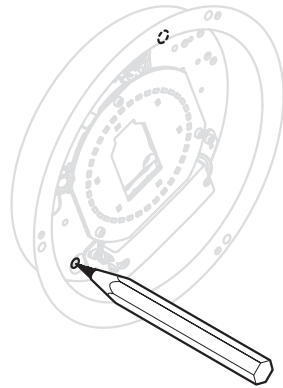




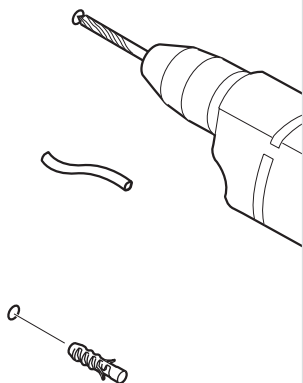
2



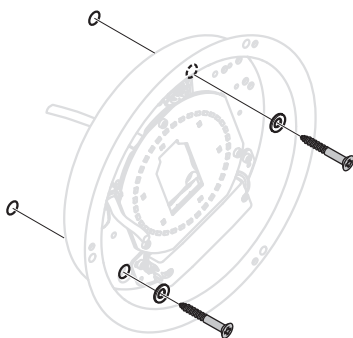
3



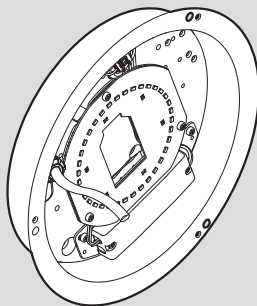
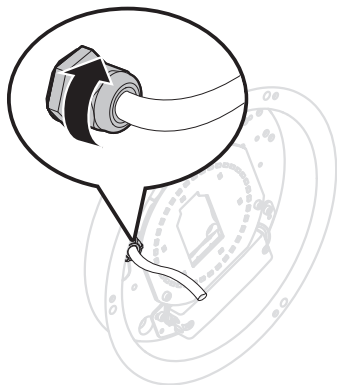
4

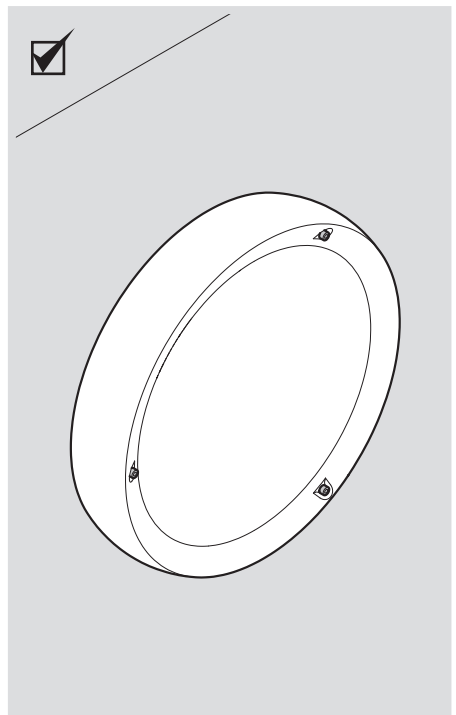
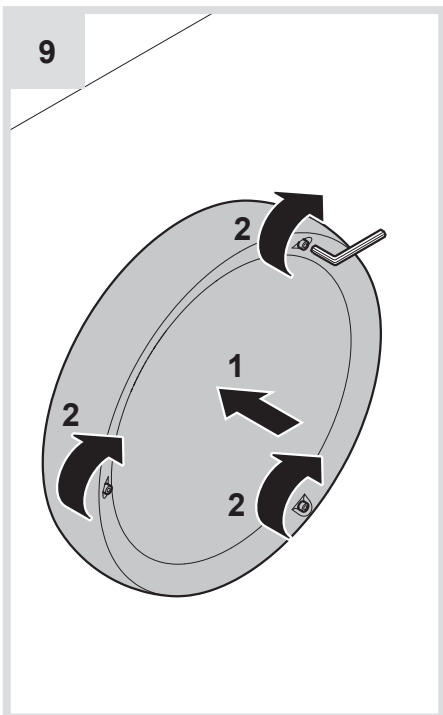
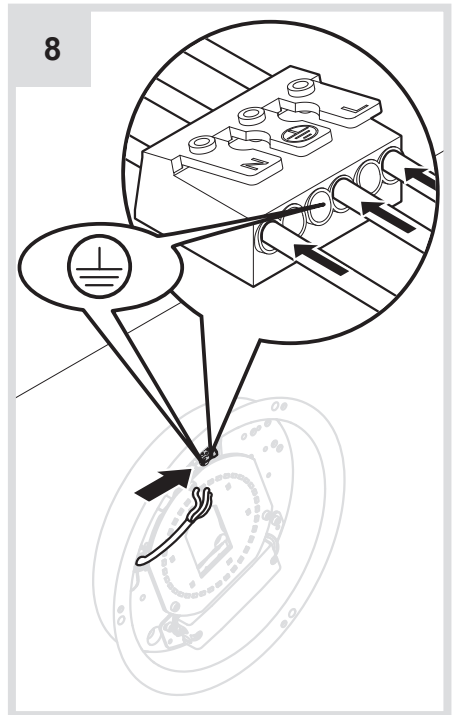
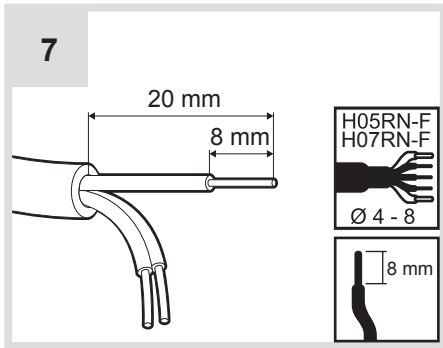


5

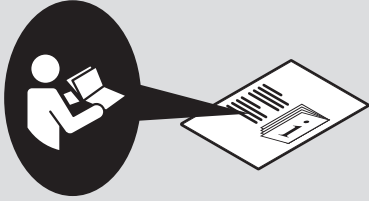


6

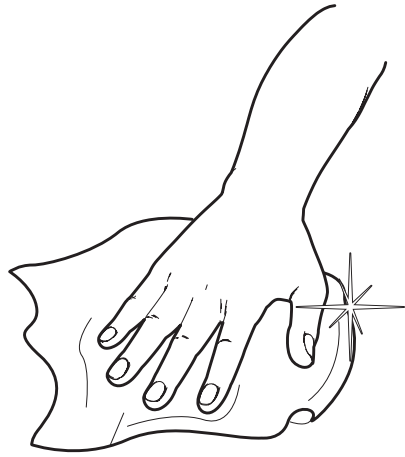




i



1



Artemide®



Artemide

via Bergamo, 18
20010 Pregnana M.se (MI)
ITALIA

tel. +39 02 935 181
fax +39 02 935 90 254
fax +39 02 935 90 496

www.artemide.com

VAT IT00846890150

cod. Y513000089