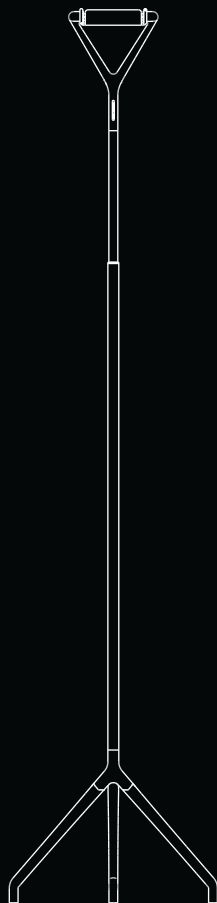
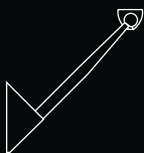


LOLA

design Alberto Meda / Paolo Rizzatto

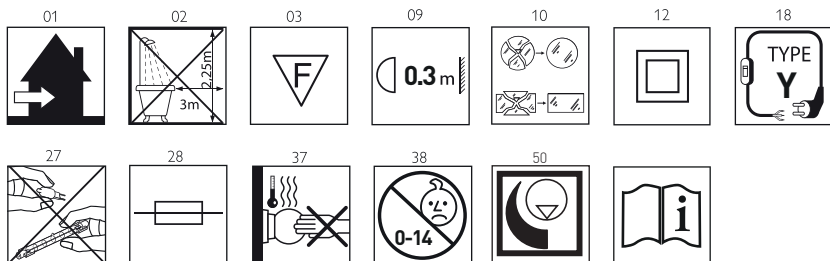


**LUCE
PLAN**

D15



D15 Nd



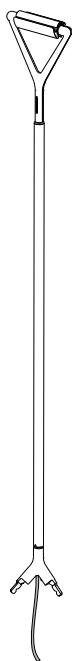
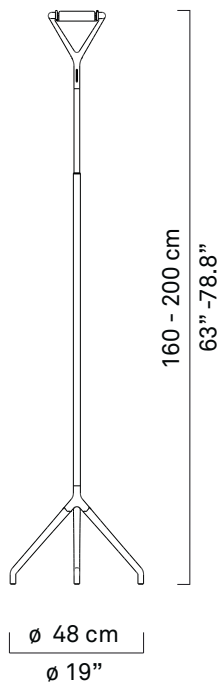
D15 Nd



a



b



x 1



x 3

kg 3,3 kg

lb 7.3 lb



max 250 W
HDG
R7s

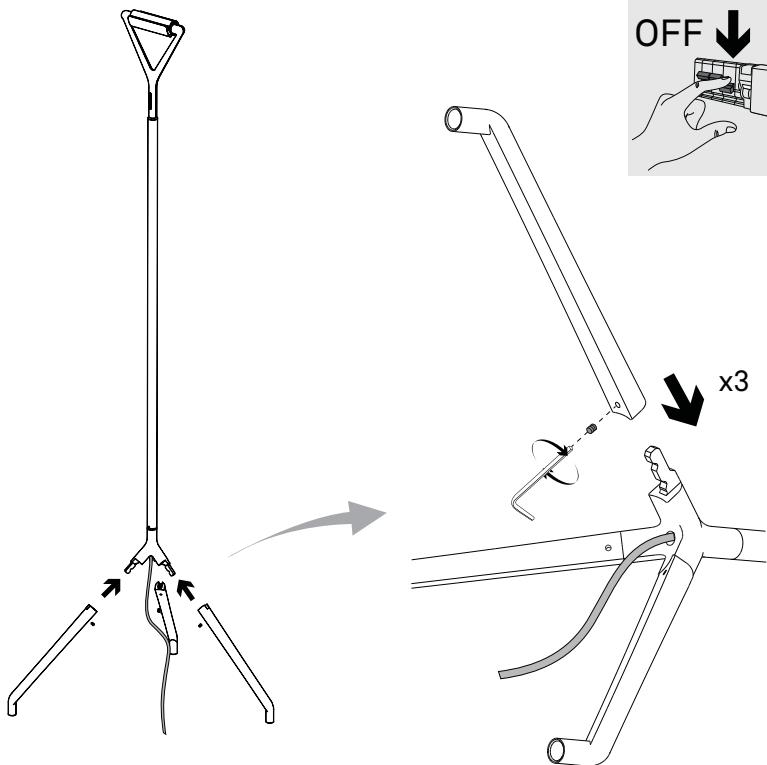
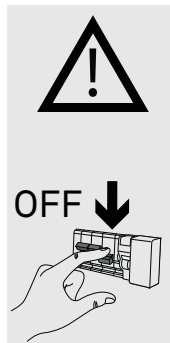


Max 240 W
HDG
R7s
energy saver

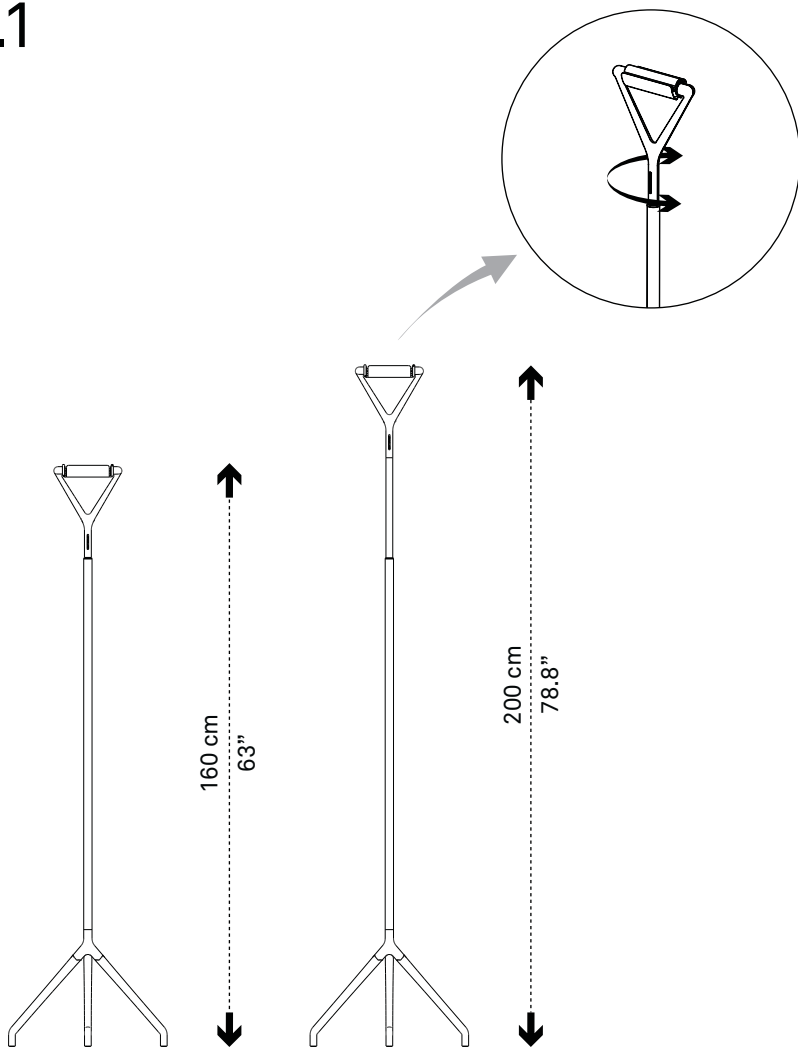


max 11W
SBLED
R7s

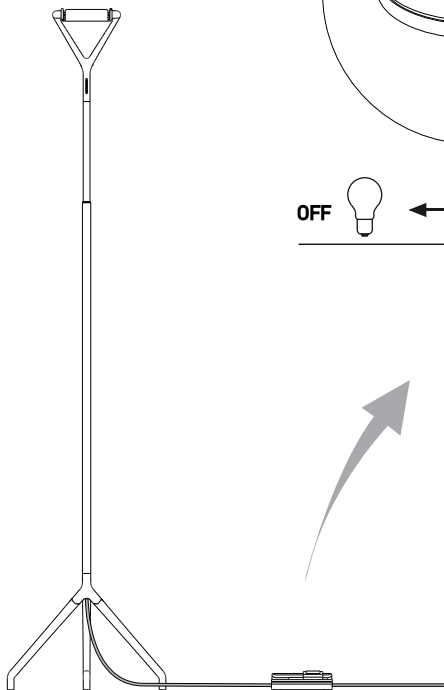
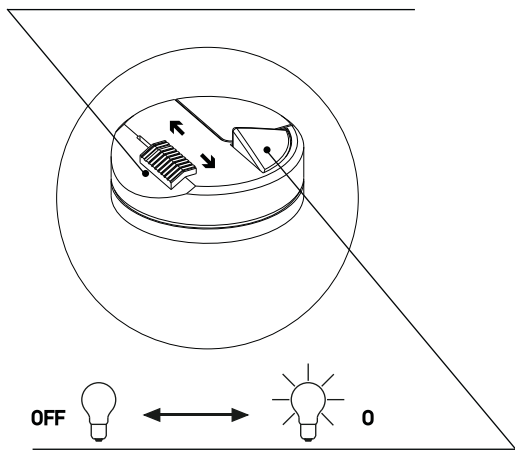
1



1.1



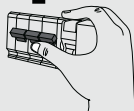
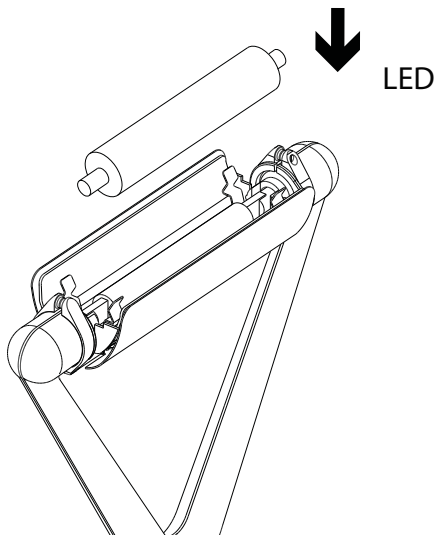
1.2



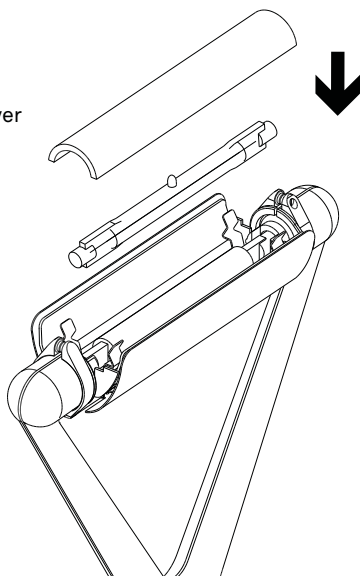
1.3



max 11W
SBLED
R7s



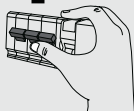
250 W
HDG
R7s
energy saver



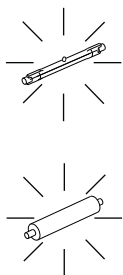
10



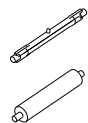
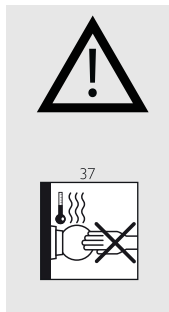
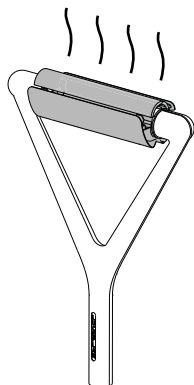
27



1.4



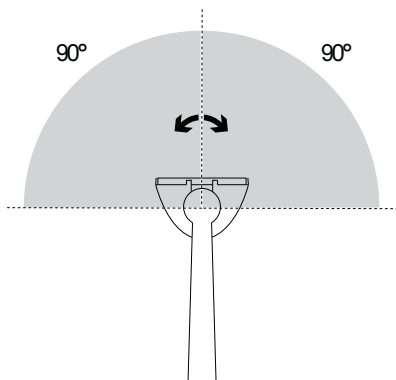
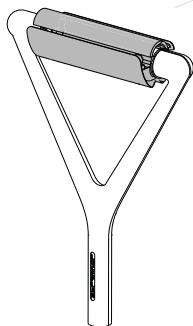
ON



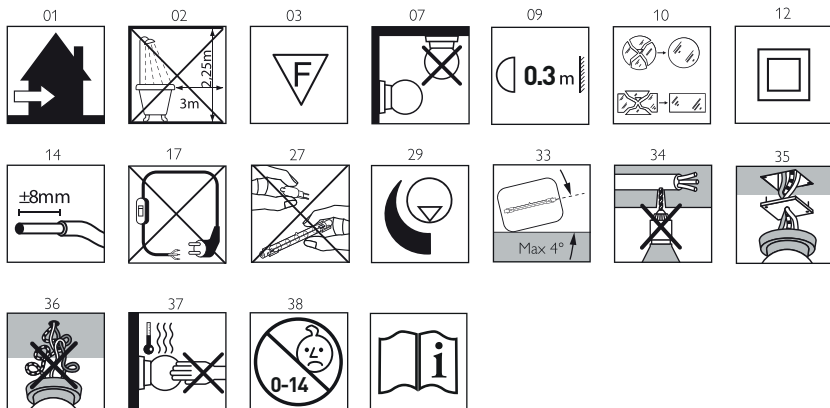
OFF



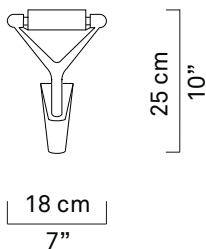
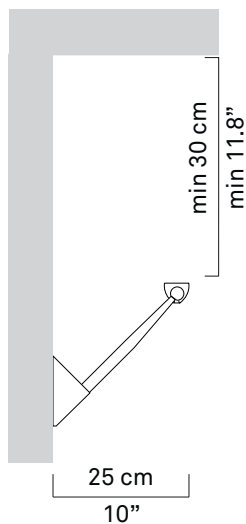
10'



D15 Na1



D15 Na1



kg 0,5 kg **lb** 1.1 lb



max 250 W
HDG
R7s

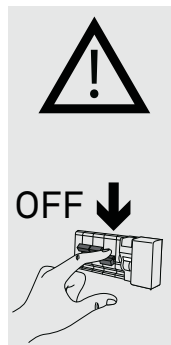
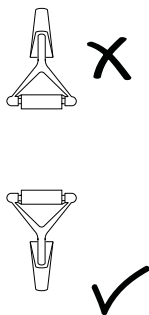
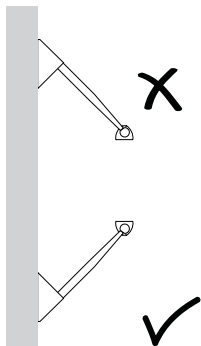


Max 240 W
HDG
R7s
energy saver

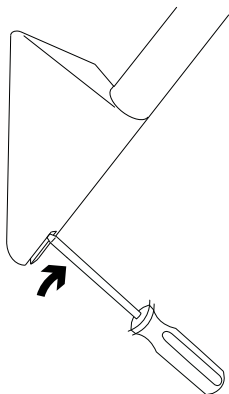


max 11W
SBLED
R7s

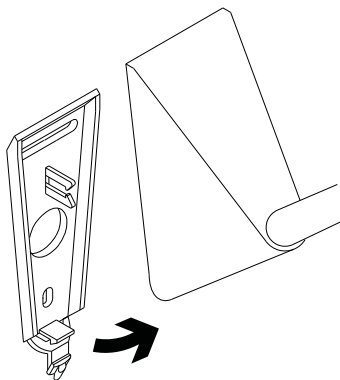
1



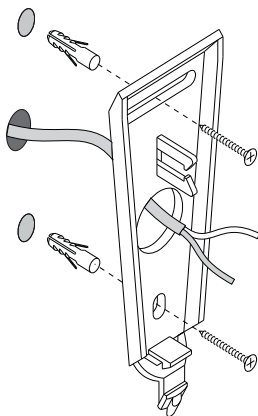
1.1



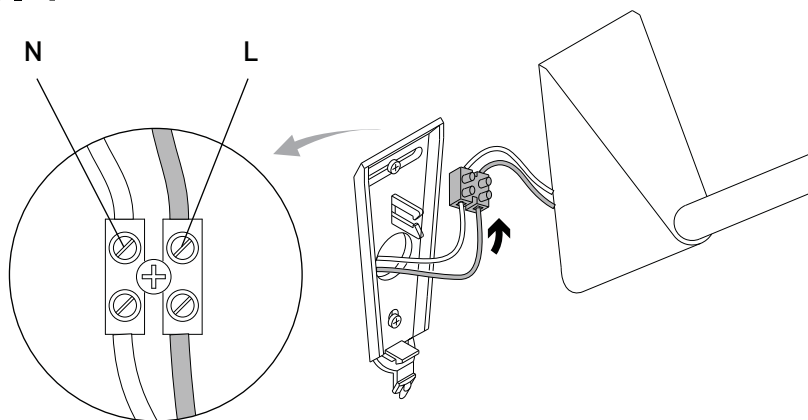
1.2



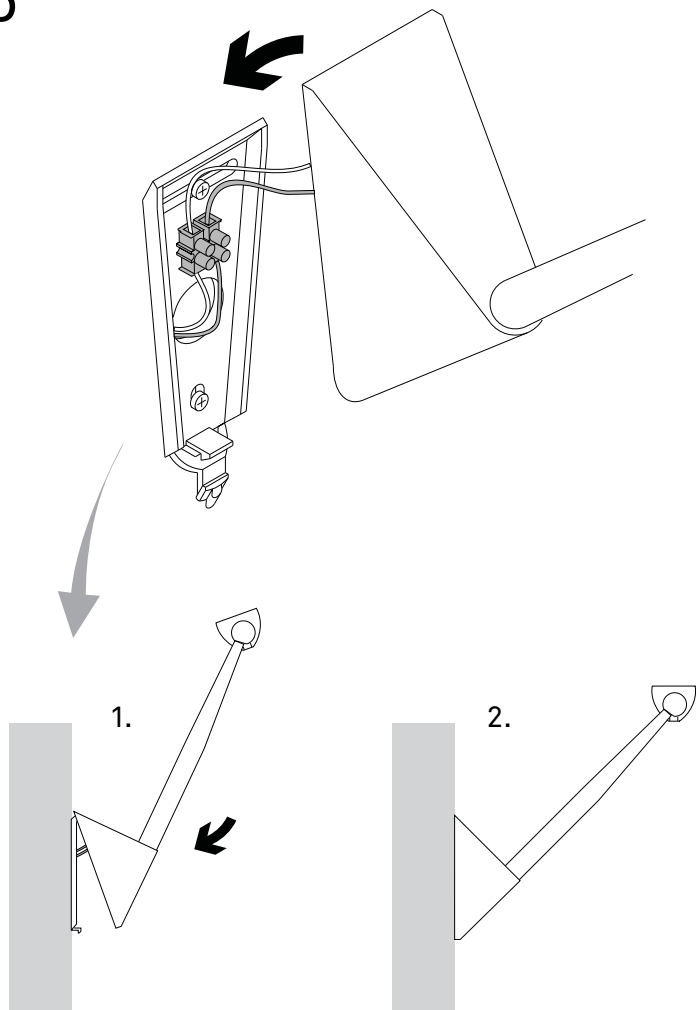
1.3



1.4



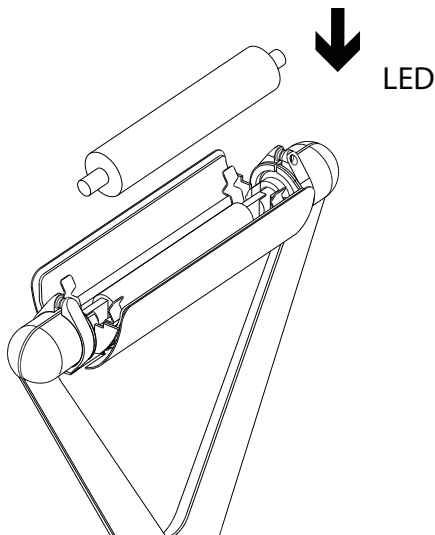
1.5



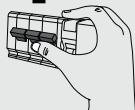
1.3



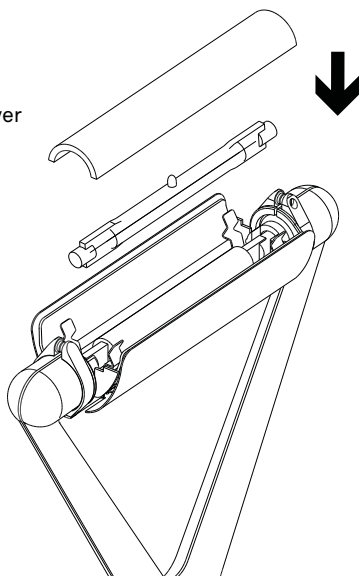
max 11W
SBLED
R7s



LED



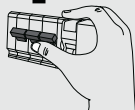
250 W
HDG
R7s
energy saver



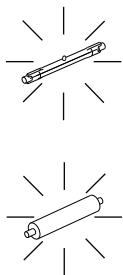
10



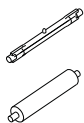
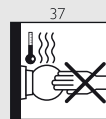
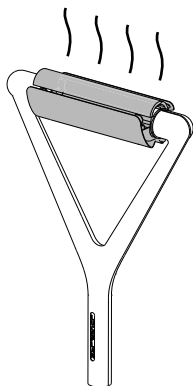
27



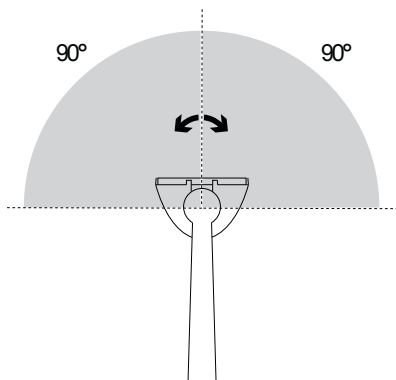
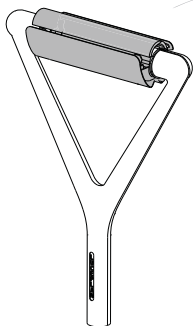
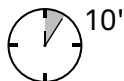
1.4



ON



OFF





www.luceplan.com

D150IB204