

Cloverleaf

Design by VERNER PANTON

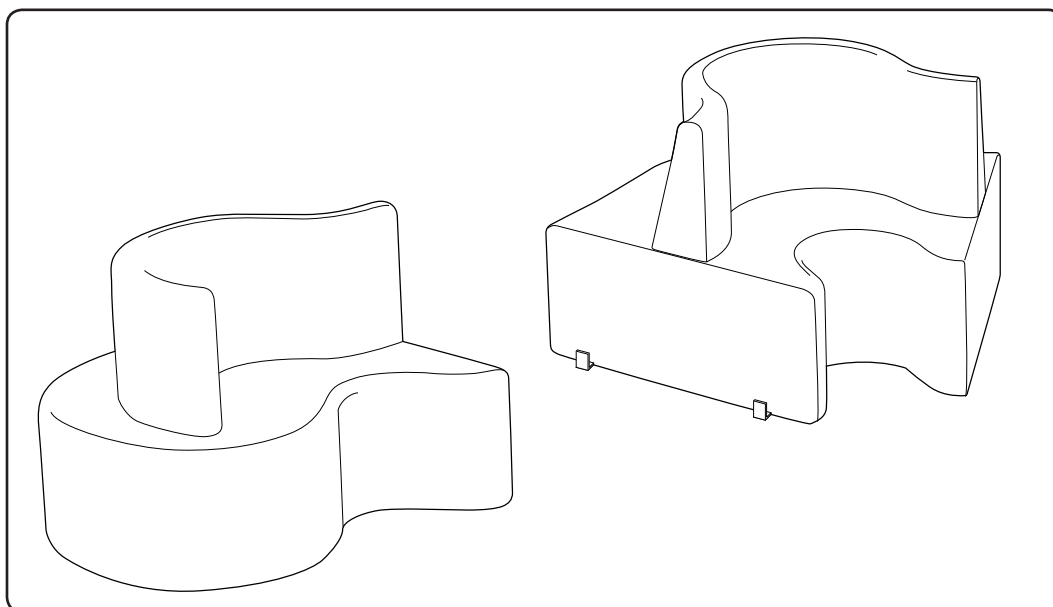
Please read thoroughly before assembly

1

Assemble the units as shown at the drawings.

Notice!
The Cloverleaf sofa is for indoor use only!

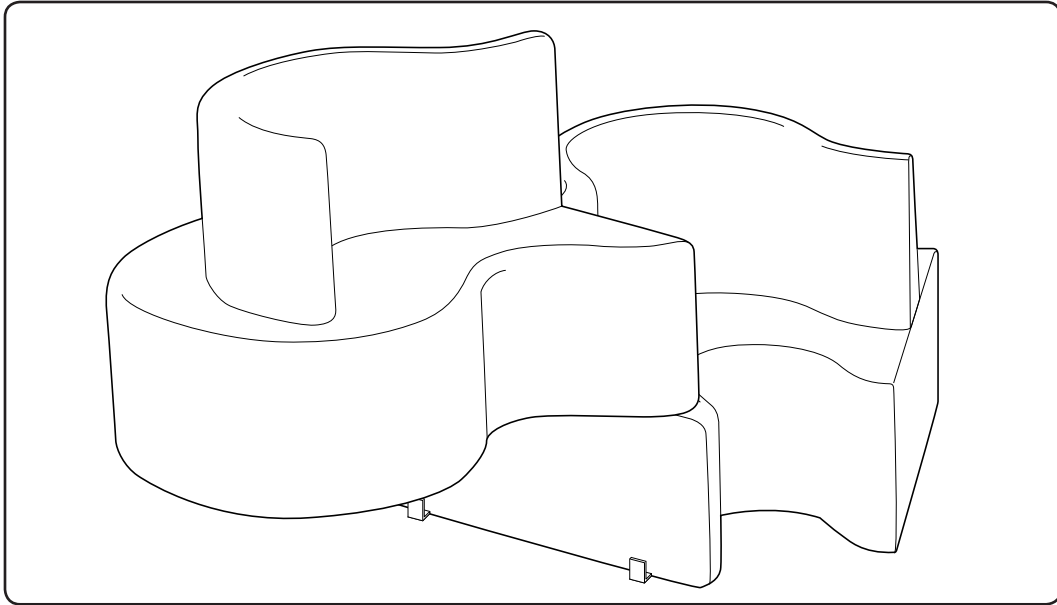
2



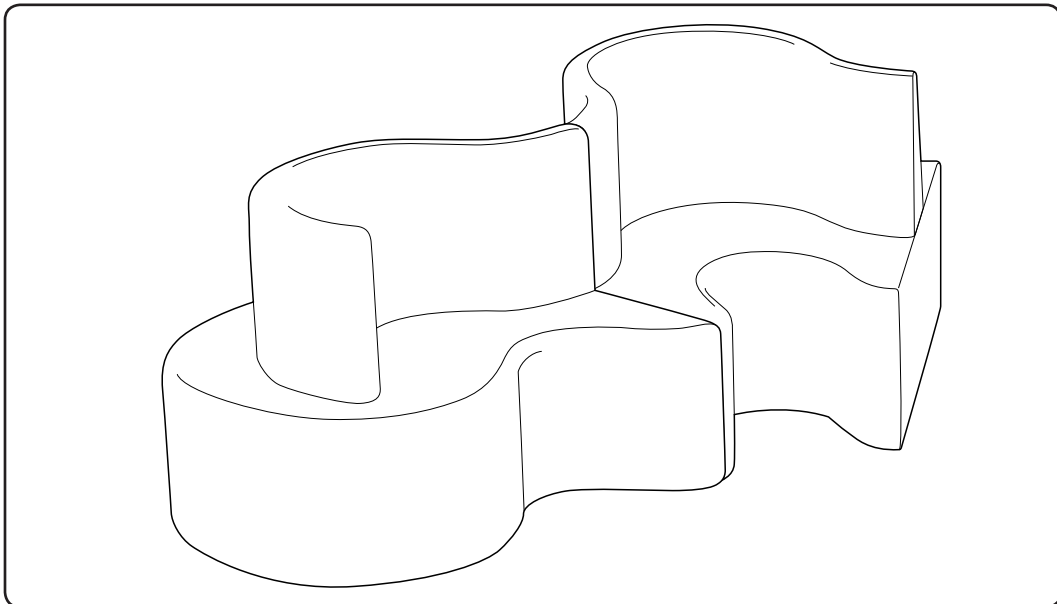
3

Each unit is fitted with adjustable feet.

4



5



6

Maintenance of Cloverleaf sofa:

Fabric: Regular cleaning is important in order to keep the upholstery looking its best and to prolong its life. Dust and dirt wear the textile and also reduce its fire-retardant properties.

Vacuum frequently on medium power, ideally every week. Remove non-greasy stains by carefully dabbing with a lint-free cloth or sponge wrung out in clean warm water. Afterwards, if necessary, clean by dabbing with soapy water or water with a little washing-up liquid added. See formulae. Finally, dab the surface with clean, tepid water.

DESIGNED
IN THE PAST
MADE FOR
TOMORROW

VERPAN ApS
Egeskovvej 29
8700 Horsens
Denmark

www.verpan.com

info@verpan.com