

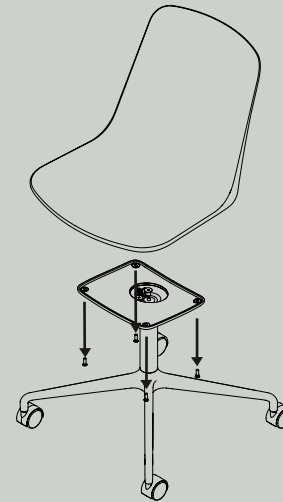
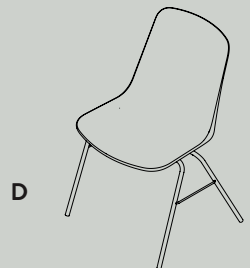
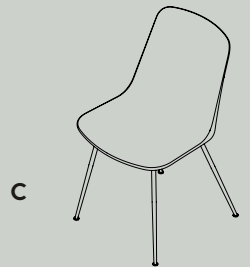
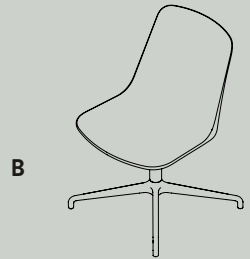
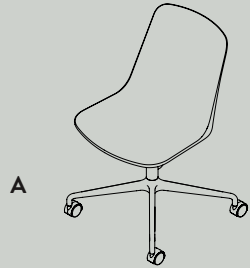
Exchanging Rely components

Please read these instructions carefully and retain them for future reference to ensure that the components are changed correctly. For your own safety, please study each step of this instruction manual first. &Tradition is not responsible for any faults or damages caused by not following these instructions correctly.

These instructions are relevant for the following Rely chair bases and components:

- A Swivel base with castors
- B Swivel base
- C Tube legs
- D A-frame

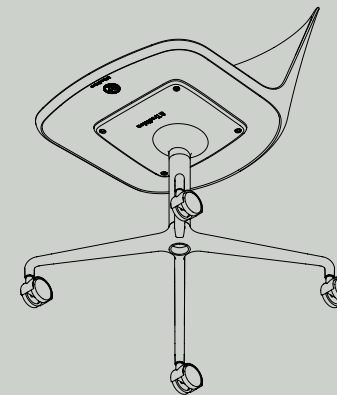
Tools needed
- Screwdriver



Swivel base with castors — Changing the swivel base

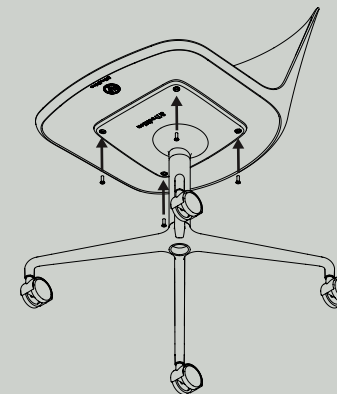
Step 1

Remove the screws with a screwdriver and carefully set aside the seat.



Step 2

Place the new base in the correct position.



Step 3

Mount the screws using a screwdriver. Be careful not to overturn if using a power tool.