

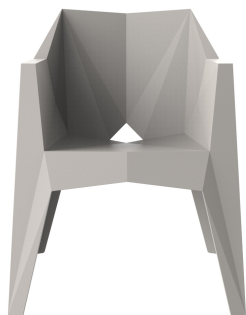
VOXEL ARMCHAIR

By Karim Rashid

Now this collection is made up of the chair and the armchair.

The Voxel Chair is the perfect conceptual architectural piece for any space. Based on the Vertex Chair, a former piece by Vondom. It presents a unique structural shape, angular and faceted, only possible due to a production by injection molding. Its weight is distributed in a balanced way due to its smartly designed shape. Its lightweight body makes it easy to transport and arrange.

The armchair is a minimal simple yet voluminous stackable chair that is faceted just in the perfect places for comfort, just in the right angles for hyper-strength, imbuing the correct creases for beauty, and just the few merging and converging lines for purity.
View online: <https://www.vondom.com/products/51031>



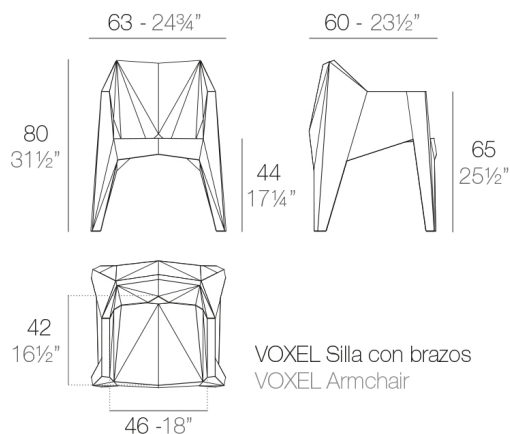
Features

Description

Made of injected polypropylene with fiber glass. Stackable. Available in several colors. Item suitable for indoor and outdoor use.

Weight

6.81 Kg



Finishes

BASIC PP

Ref. 51031

Available in various colors

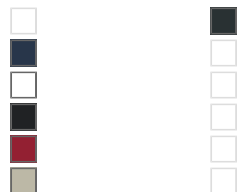
LACQUERED COLOR INJECTION PP

Ref. 51031F

-

COLOR	BASIC PP	LACQUERED COLOR INJECTION PP
WHITE 3102	<input type="checkbox"/>	<input type="checkbox"/>
BLACK 3126	<input type="checkbox"/>	<input type="checkbox"/>
ACUALIS NAPA41	<input type="checkbox"/>	<input type="checkbox"/>
STEEL 3112	<input type="checkbox"/>	<input type="checkbox"/>
RED 3117	<input type="checkbox"/>	<input type="checkbox"/>
WHITE 3101	<input type="checkbox"/>	<input type="checkbox"/>
RED 3114	<input type="checkbox"/>	<input type="checkbox"/>
BLACK 3102	<input type="checkbox"/>	<input type="checkbox"/>

ANTHRACITE 3106
NAVY
WHITE
BLACK
RED
ECRU



Optional

NAUTIC

Soft leather like fabric suitable for indoor and outdoor use. Standard option for upholstery.

