



CARE INSTRUCTIONS

Wipe the parts with a dry cloth or a damp cloth soaked in warm water. Use only soft cloth for wiping and polishing, never sponges or steel wool. Do not use abrasive household cleaners. Do not use acidic or alkaline cleaning materials, glass cleaner or household ammonia.

TROUBLESHOOTING

If lamp does not light, turn off the power. Check the bulb for a broken filament. Replace bulb if necessary, then turn it on. If the lamp still does not light, please contact customer service at the local dealer. If the external flexible cable or cord of this lamp is damaged, it must be replaced by a qualified electrician in order to avoid a hazard.

TECHNICAL INFORMATION

Gravity Table Lamp Small light sources: E27, 470 Lumen
(\leq 40W Incandescent, \leq 30W Halogen, ~5-6W LED Dimmable).

Gravity Table Lamp Large light sources: E27, 810 Lumen
(\leq 60W Incandescent, \leq 46W Halogen, ~8-10W LED Dimmable).

With LED you can improve light output to 1530 Lumen (~13-16W).

Only dimmable light bulbs work properly.
Turn power off when changing light bulb. Isolation class II. The lamp is not approved for outdoor use or use in damp/wet rooms (IP20).



For enquiries contact GUBI A/S - CVR: 17940384
Klubiensvej 7-9. 2150 Nordhavn. Copenhagen, Denmark

T +45 69 15 60 60 – order@gubi.com

GUBI.COM

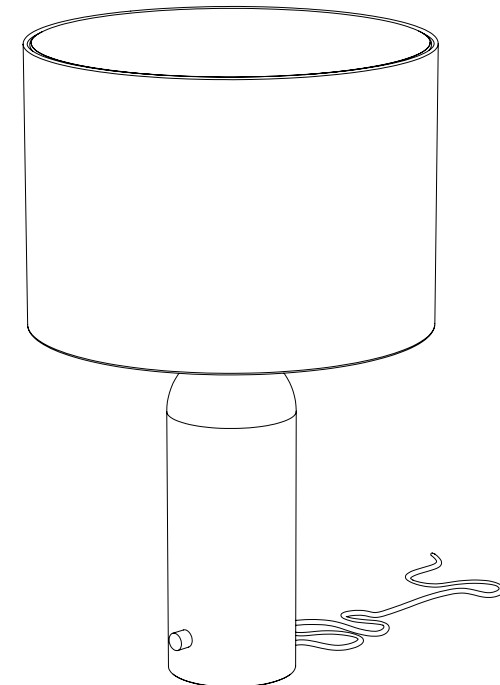
69-20-003-06 Assembly Instructions Gravity Table Lamp EU.

GUBI

ASSEMBLY INSTRUCTIONS

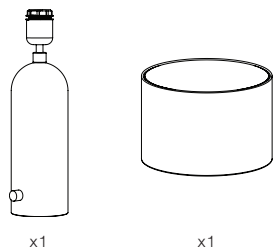
for

Gravity Table Lamp



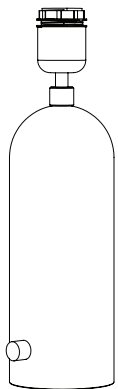
CONTENTS

Gravity Table Lamp



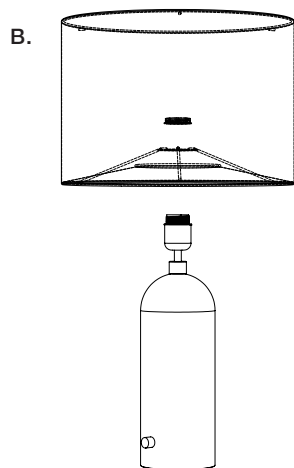
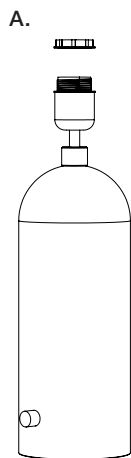
1.

Unpack the lamp and place on stable ground.



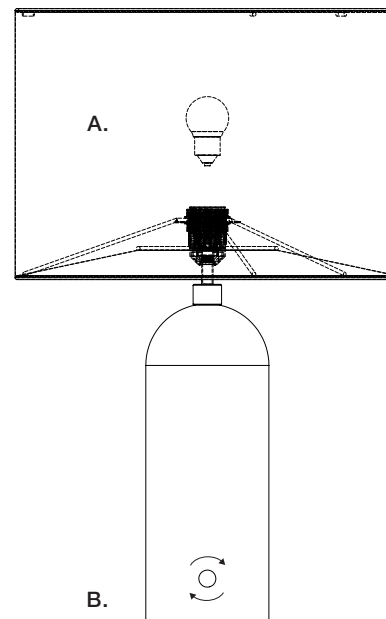
2.

A. Unscrew the top ring on the lamp holder.
B. Place the shade on lamp holder and screw the ring back on.



3.

A. Insert a light bulb and plug lamp to main voltage.
B. Rotate button to turn lamp on and off, and dim up and down.



4.

Place the top diffuser on top of the shade so that it rests on the 3 rods.

