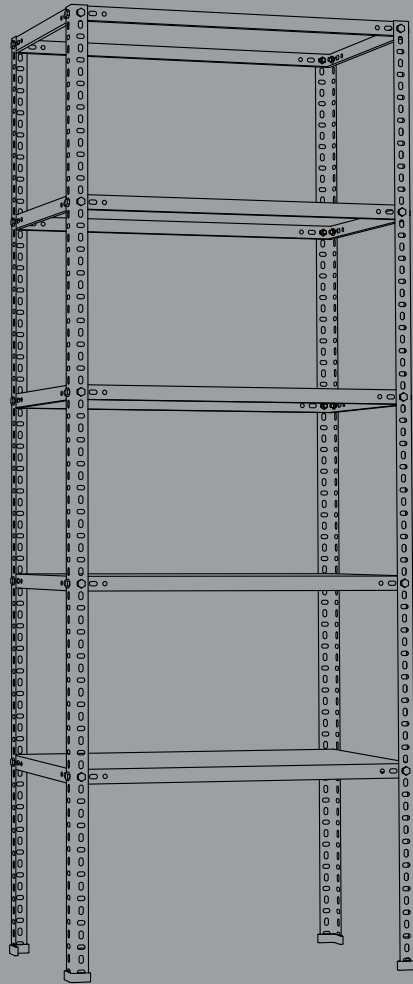


INSTRUCTION MANUAL

SHELVING UNIT



HAY

INTRODUCTION

HAY's Shelving Unit provides a functional and simple storage solution for kitchens or other home spaces. The steel frame features exposed bolts that reinforce the raw, industrial look. Available in four different colours.

CARE AND MAINTENANCE

CAUTION

With a little care you can prolong the life of your furniture. Follow the instructions for the materials of your specific product to make sure that it stays in the best shape for as long as possible.

The information below is only intended as a general guideline. For more information on how to remove specific stains, please enquire where you bought the furniture.

- Always remove stains quickly before they can do any permanent damage to the furniture.

- When you move your furniture, make sure you lift it rather than pulling or pushing it to avoid damaging the floor, legs and mountings.

- Tighten up the screws after one to two months' use and whenever required.

- Be careful not to scratch or damage the surface with sharp objects.

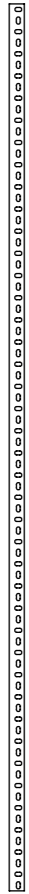
CARE AND MAINTENANCE

POWDER COATED STEEL

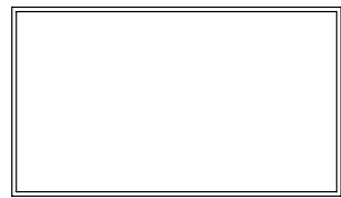
- Wipe with a clean cloth wrung in water or in a solution of water and a neutral detergent. Remove soap residue immediately using a clean, dry cloth.

- Avoid using scouring cream or scouring pads, as they may scratch the surface.

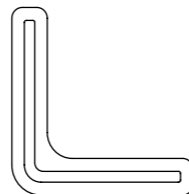
PARTS



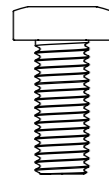
A x 4



B x 5



C x 4



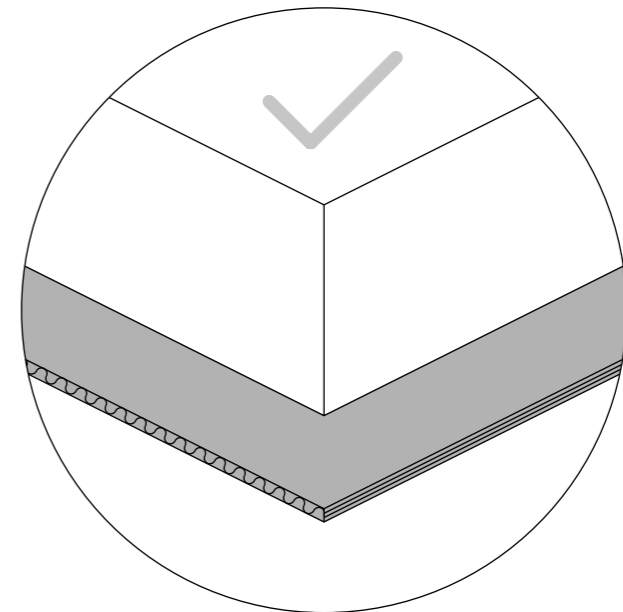
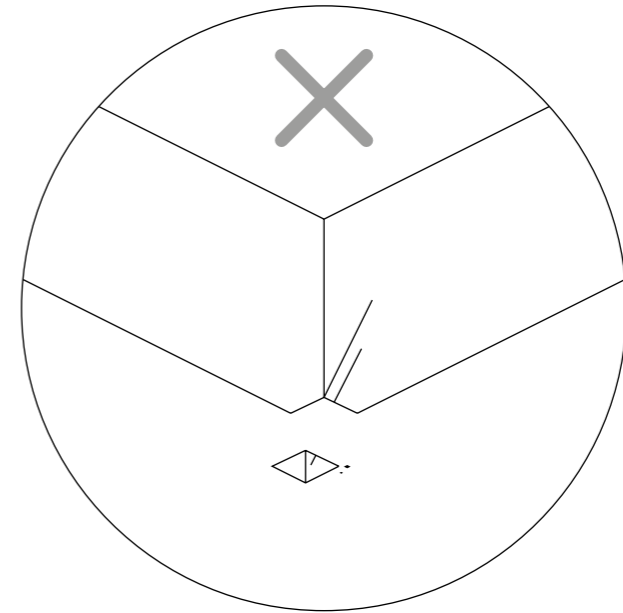
D x 40



E x 40

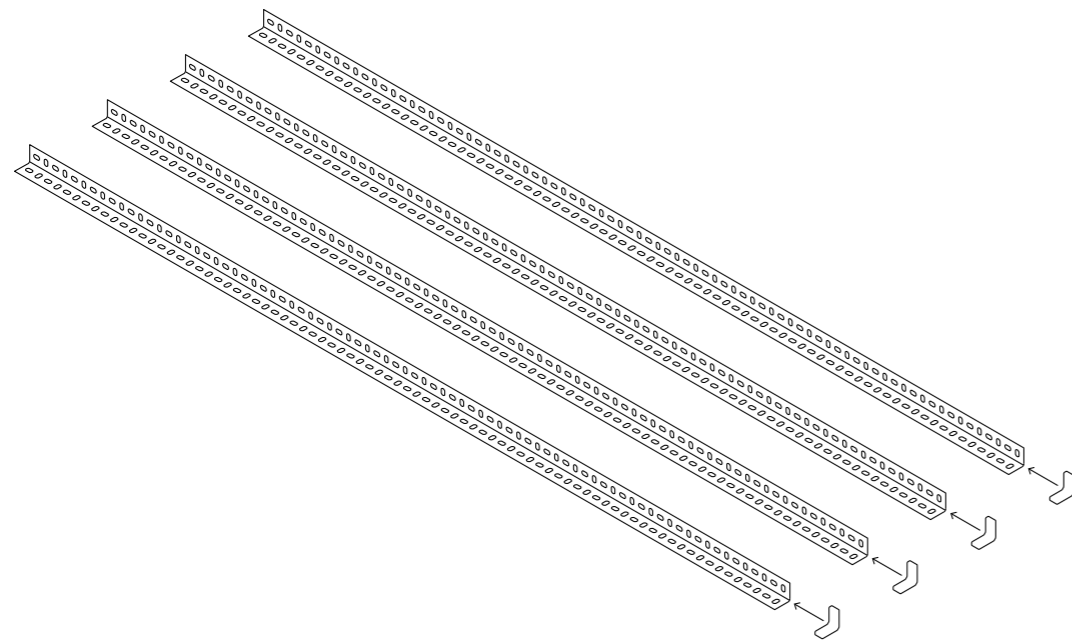
1.

While assembling, keep the shelves inside the cardboard box in order to protect the shelves from scratches etc. Make sure that all parts are included.



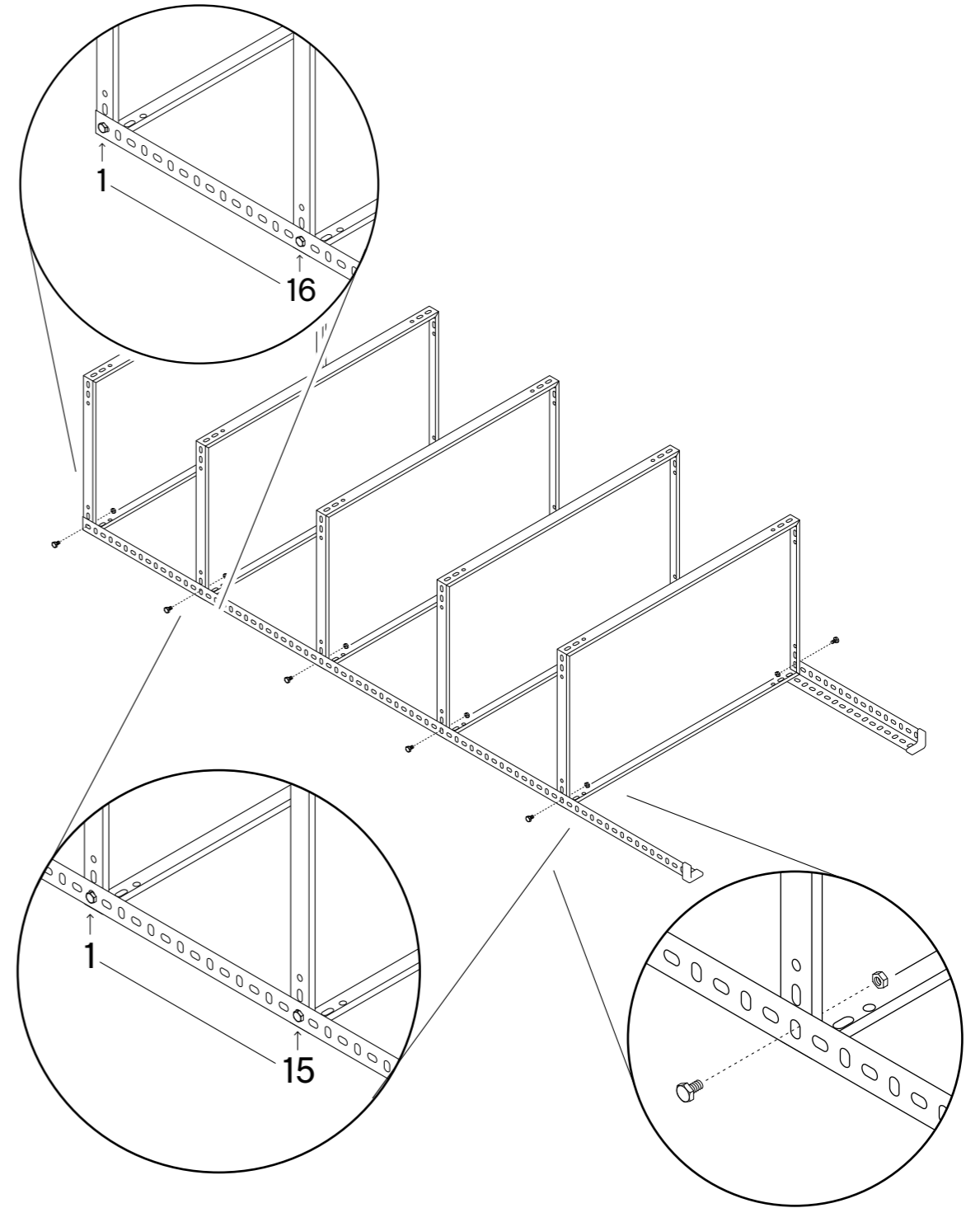
2.

Slide the gliders (C) onto the profiles (A).



3.

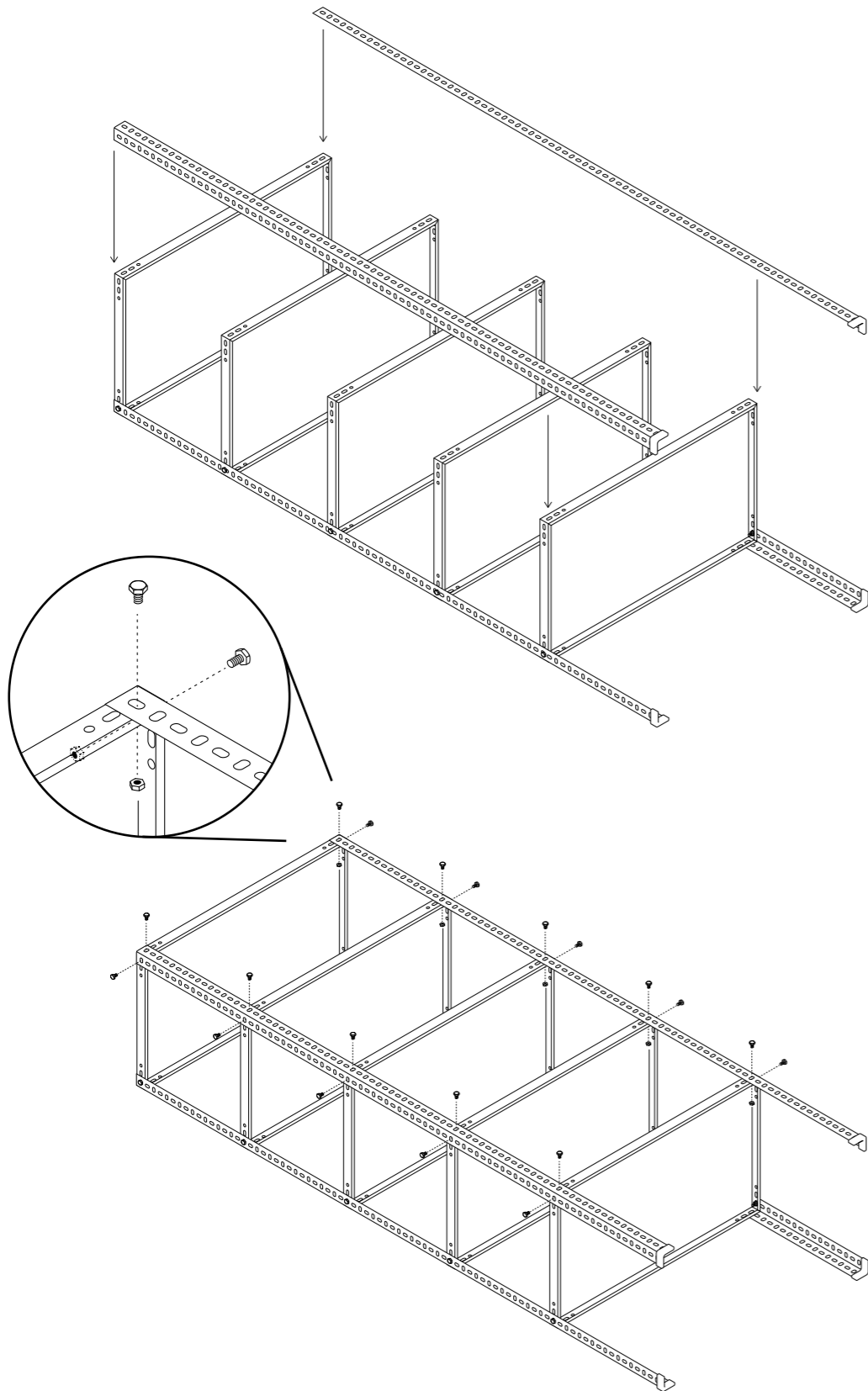
Align the shelves (B) with two profiles (A) as shown in the drawing below.
Screw the profiles (A) onto the shelves (B), using the bolts (D) and nuts (E).
Refer to the details in the drawing below concerning the recommended number
of holes between each shelf.



Do not tighten bolts completely until step 7.

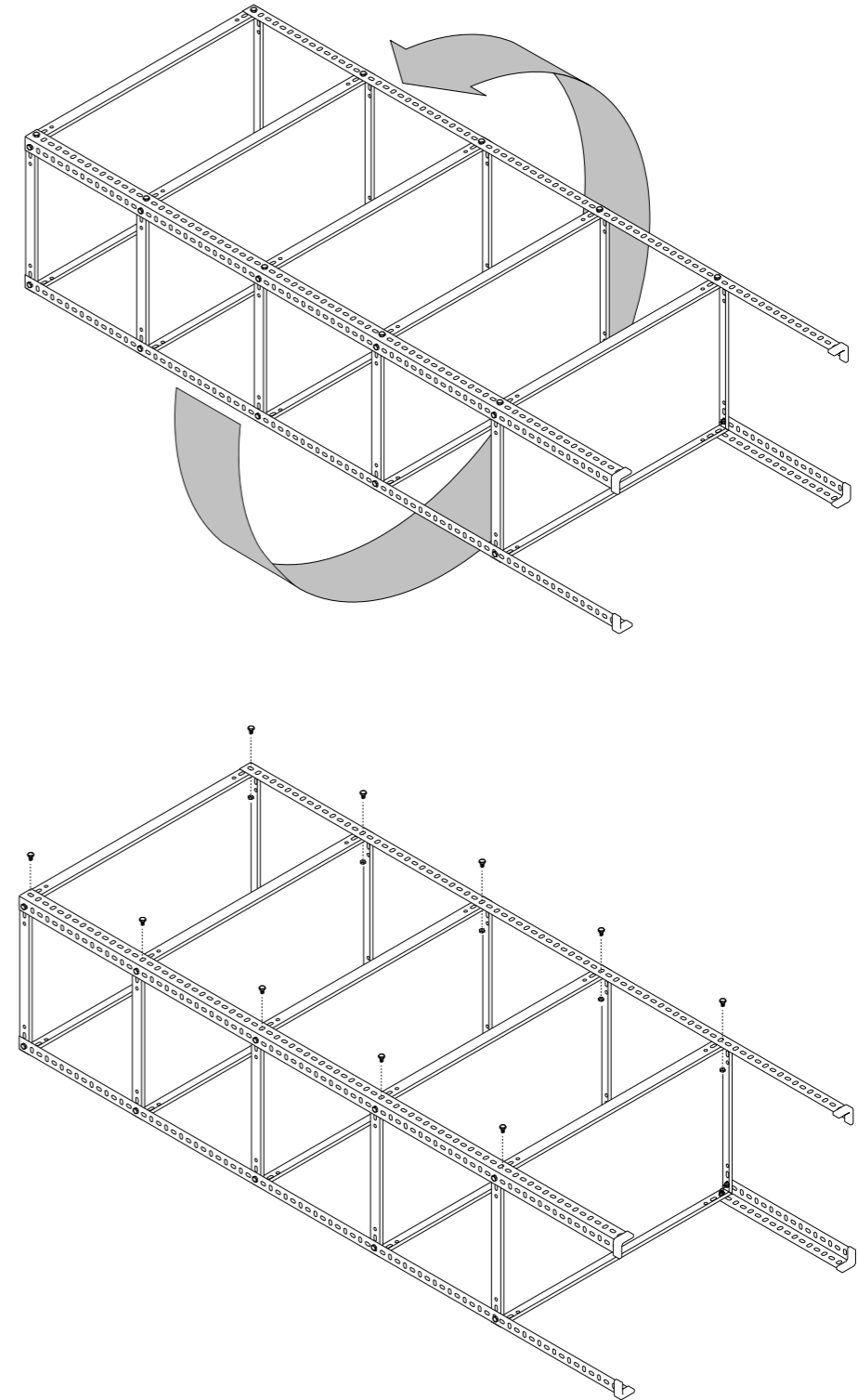
4.

Align the two remaining profiles (A) with the shelves (B).
Screw the profiles (A) onto the side and front of the shelves (B), using the bolts (D) and nuts (E). Make sure they are not completely tightened.



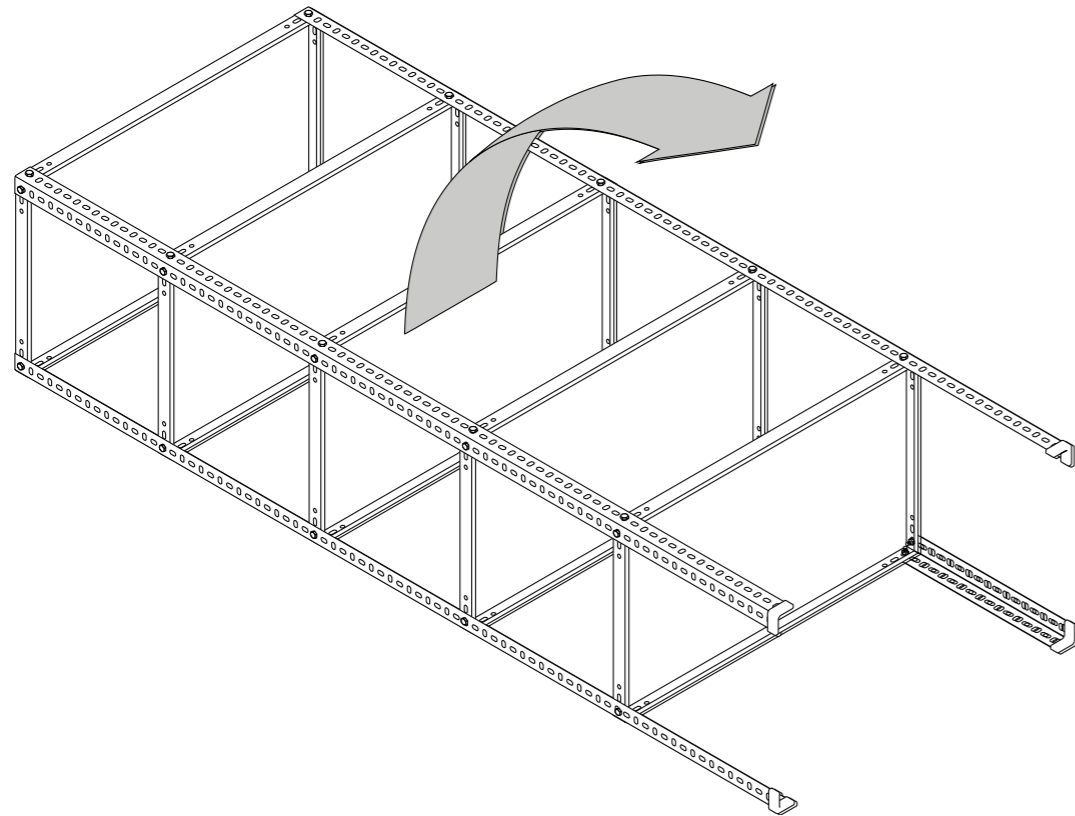
5.

Turn the shelf over (two people are recommended).
and screw the profiles (A) to the back of the shelves (B), using the bolts (D) and nuts (E).



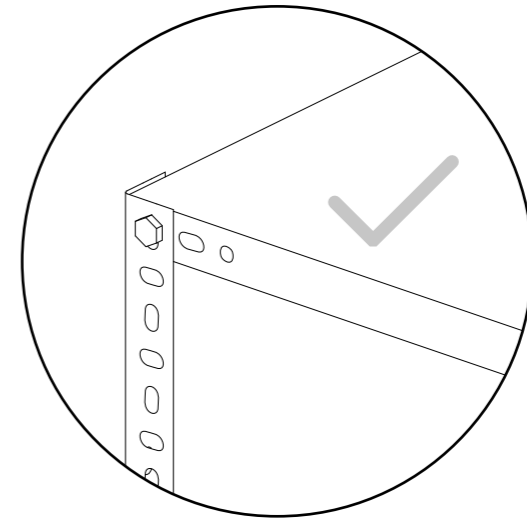
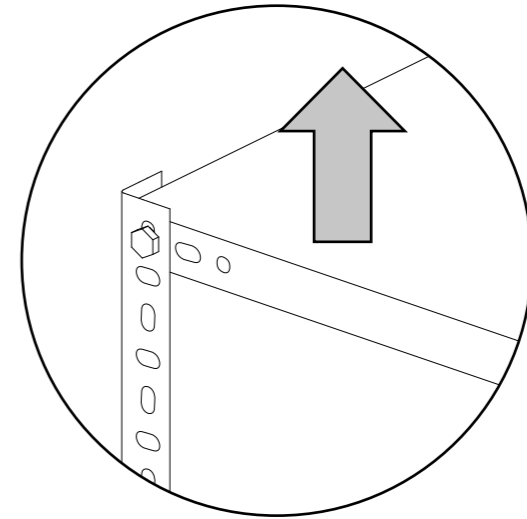
6.

Turn the shelf into an upright position (two people are recommended).



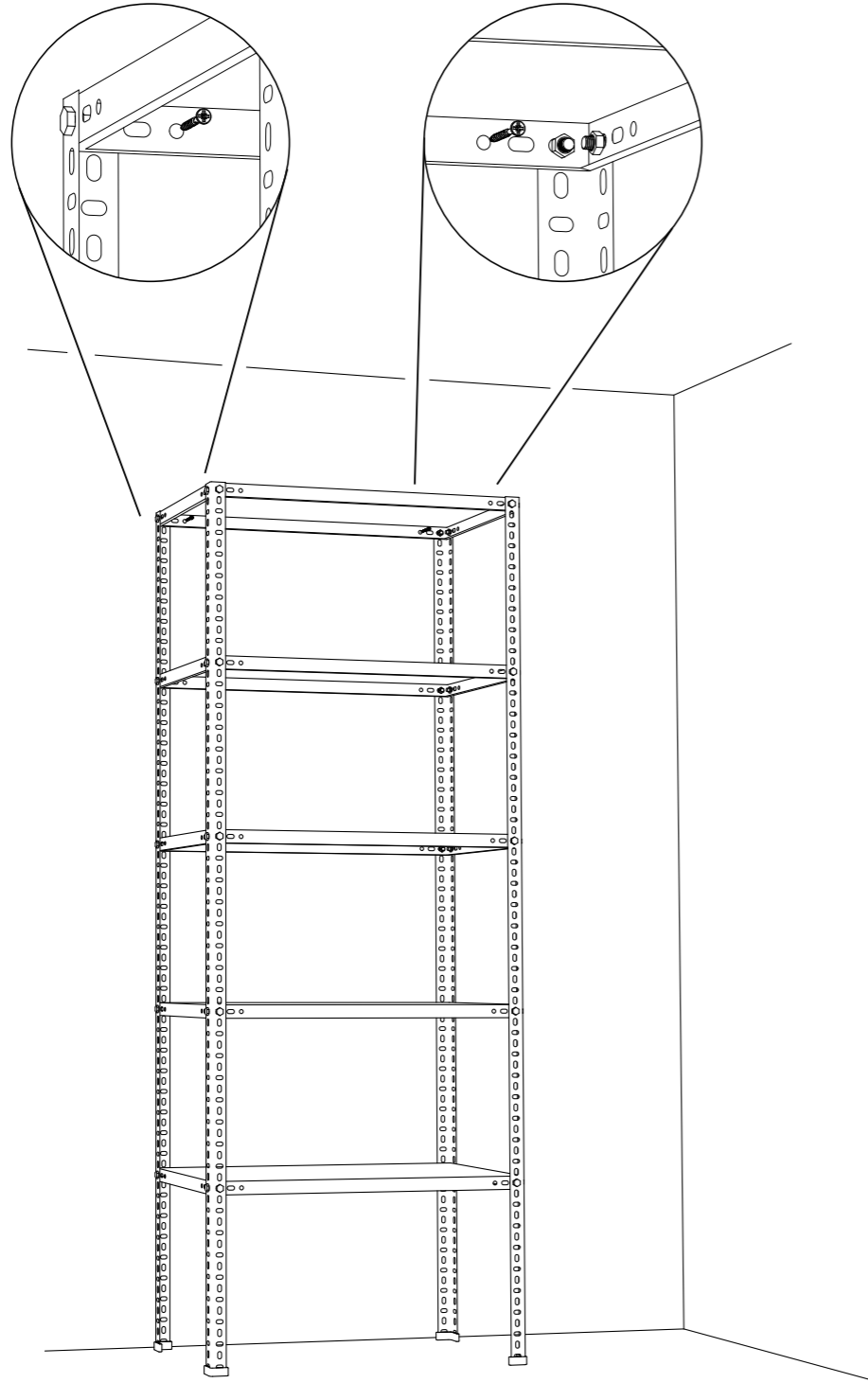
7.

Adjust the top shelf until it is almost level with the profiles. Then tighten all bolts completely.

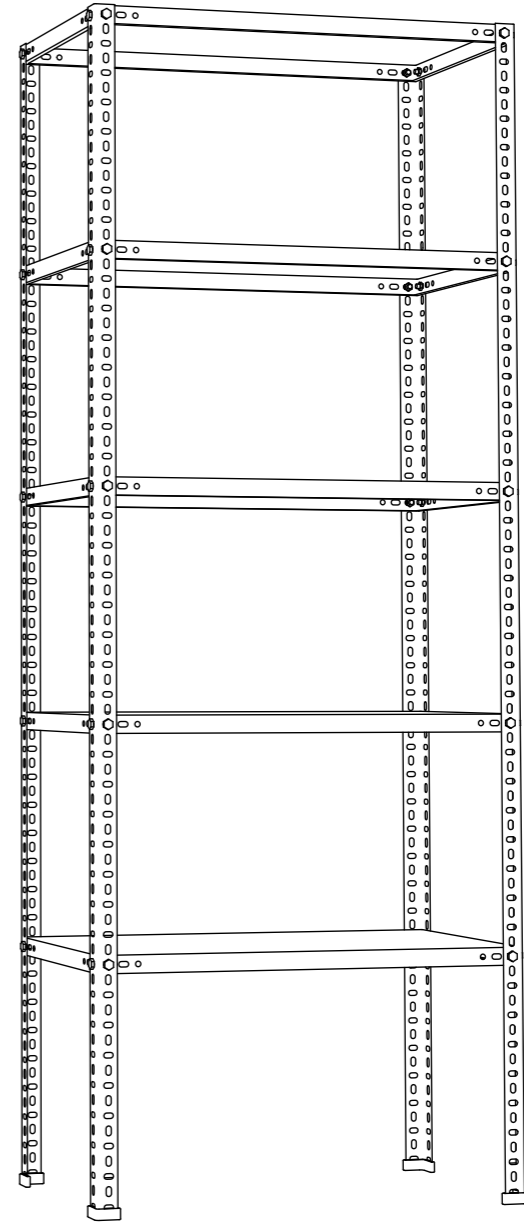


8.

As an extra precaution, screw the shelf to the wall.



9.



Havnen 1 8700 Horsens Denmark
+45 4282 0282 / hay@hay.dk

HAY

ITEM NO. 706380



5 710441 251361