

INSTRUCTION MANUAL

---

# NEU TABLE



By *HAY*

**HAY**

## INTRODUCTION

---

Neu Table is a small table designed by HAY with a round or a square tabletop. Neu Table fits a wide variety of indoor and outdoor environments, such as offices, cafés, restaurants, gardens, terraces and balconies.

Neu Table has an independent, versatile appearance that embraces both public and private environments.

## CARE AND MAINTENANCE

---

### CAUTION

With a little care you can prolong the life of your furniture. Follow the instructions for the materials of your specific product to make sure that it stays in the best shape for as long as possible.

The information below is only intended as a general guideline. For more information on how to remove specific stains, please enquire where you bought the furniture.

- The Neu Table is galvanized and has an outdoor powder coating which provides a barrier against corrosive elements making it suitable for outdoor use.
- Always remove stains quickly before they can do any permanent damage to the furniture.
- When you move your furniture, make sure you lift it rather than pulling or pushing it to avoid damaging the floor, legs and mountings.
- Tighten up the screws after one to two months' use.
- Avoid improper use such as putting your feet on the table or standing on the it.

- Use coasters under damp, hot or coloured objects to avoid permanent stains.
- Be careful not to scratch or damage the surface with sharp objects.
- Avoid partially covering the surface, for example with tablecloths, cushions or place mats, as colour variances may appear.
- Minor spots of rust under the furniture and bases are considered as a natural result of general use and can be treated using the care instructions below.
- Direct placement on a seafront can lead to corrosion.
- Wipe off bird droppings quickly as they may lead to permanent corrosion or staining.
- Wipe off the furniture if it becomes wet after rain or snowfall as this will damage the surface over time.

## CARE AND MAINTENANCE

---

### POWDER COATED STEEL

- Wipe with a clean cloth wrung in water or in a solution of water and a neutral detergent. Remove soap residue immediately using a clean, dry cloth.
- Avoid using scouring cream or scouring pads, as they may scratch the surface.
- Do not use solvents as they may have an adverse effect on the coating.
- Never use acetic acid or citric acid.
- In the event of lime deposits on the surface use a clean, damp cloth wrung in lukewarm water with one part vinegar to nine parts water and avoid scrubbing as this may scratch the surface.
- Small scratches or damage to the powder coated surfaces can lead to corrosion. They can be retouched and protected from corrosion with a special repair lacquer available at HAY stores and authorized dealers. If the metal is uncovered it is necessary to sand the area before repairing it (grain 220). Wipe it over with a clean dry cloth and clean the area with methylated spirits before repainting it.

### POWDER COATED ALUMINIUM

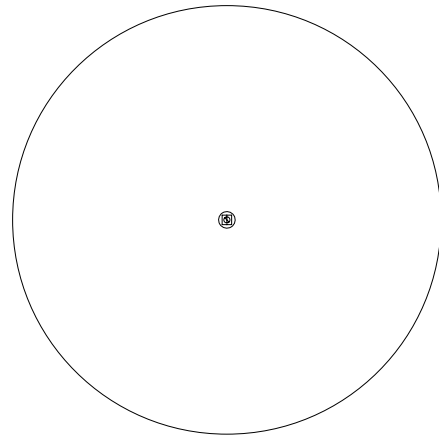
- Wipe with a clean cloth wrung in water or in a solution of water and a neutral detergent. Remove soap residue immediately using a clean, dry cloth.
- Avoid using scouring cream or scouring pads, as they may scratch the surface.

### STORAGE

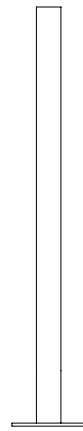
The life expectancy of your table will vary depending on the weather and type of use. We recommend that you store it in a dry, ventilated place during winter and keep it protected from scratches and bumps.

# PARTS

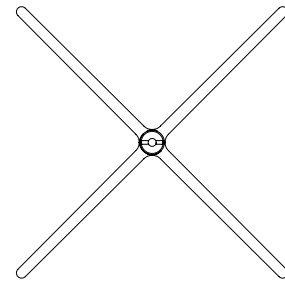
---



A x 1



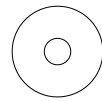
B x 1



C x 1



D x 1



E x 1



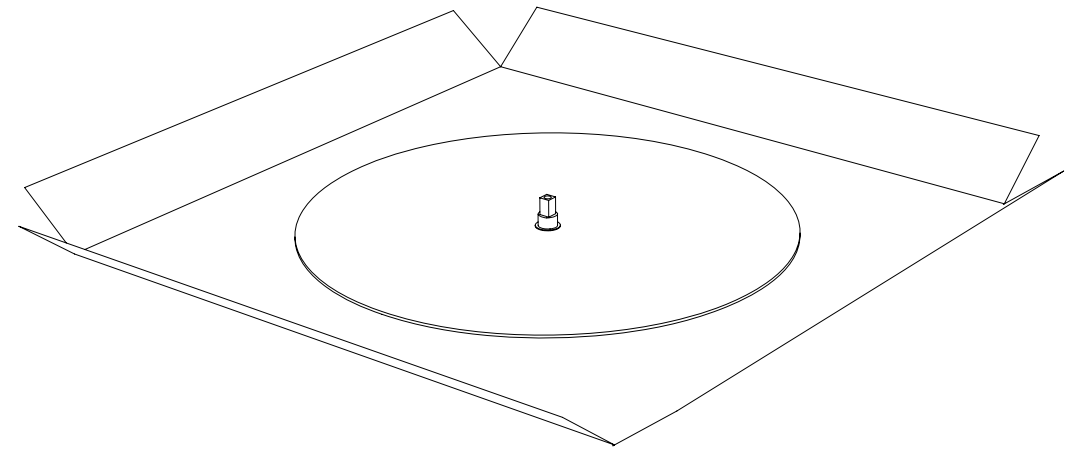
F x 1



Allen key

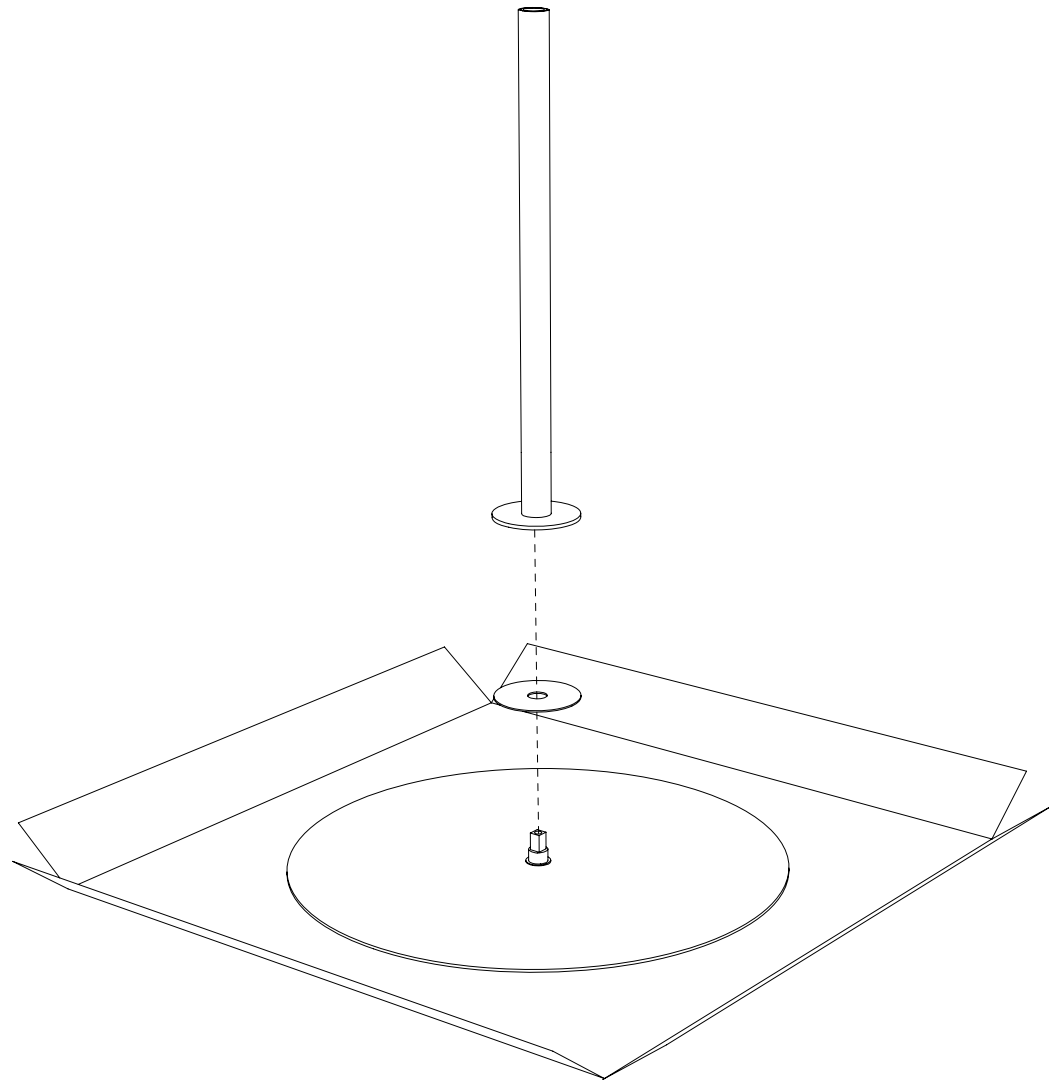
1.

While assembling, keep the table inside the cardboard box in order to protect the tabletop from scratches etc.



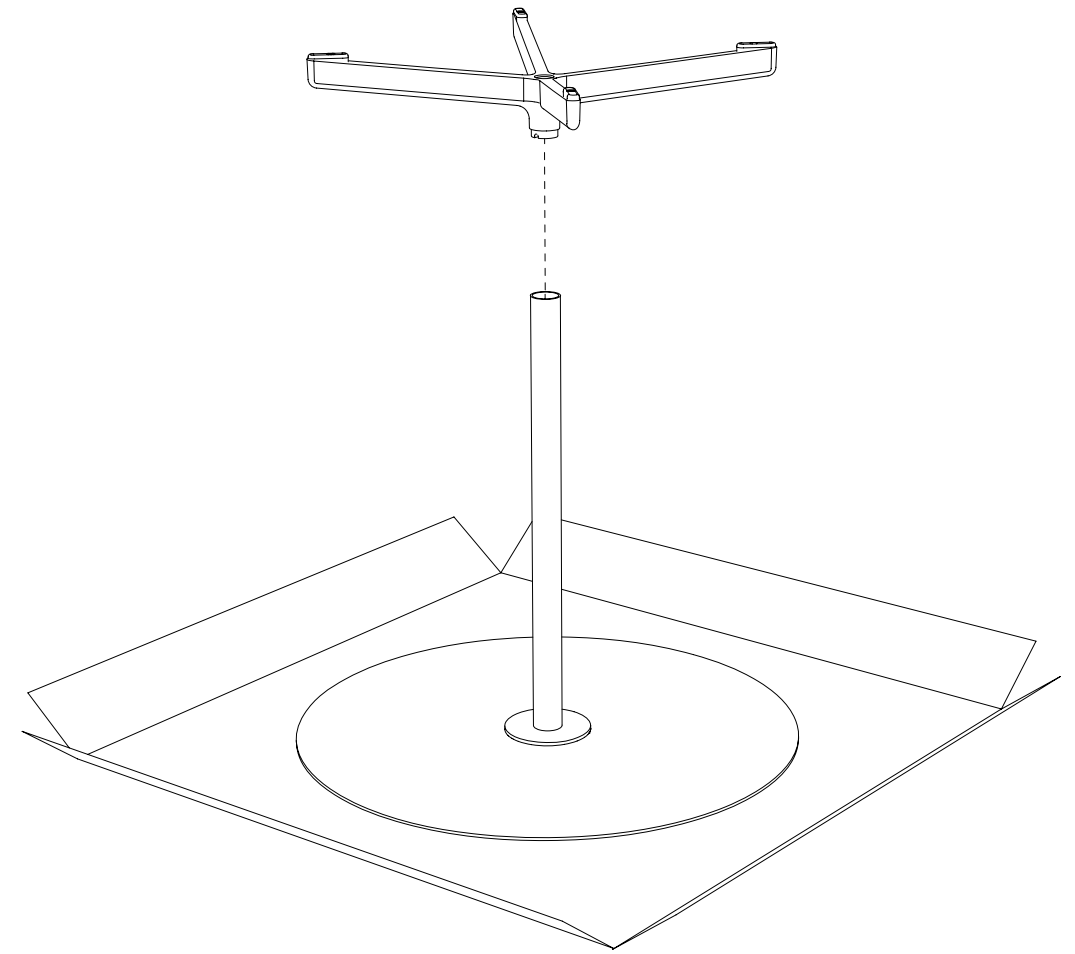
2.

Place the big washer (part E) on the tabletop.  
Then place part B on top of the washer.



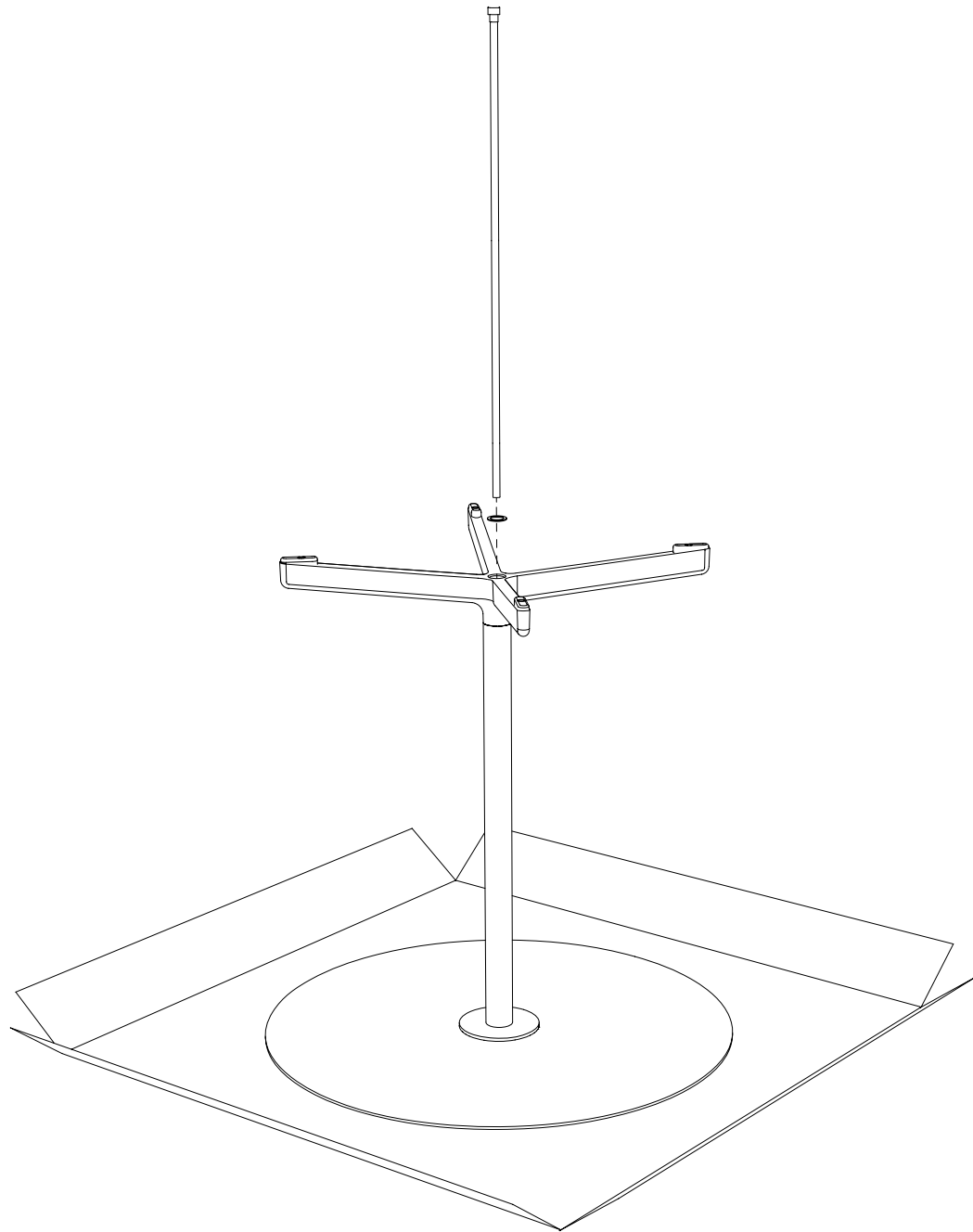
3.

Insert part C into part B.



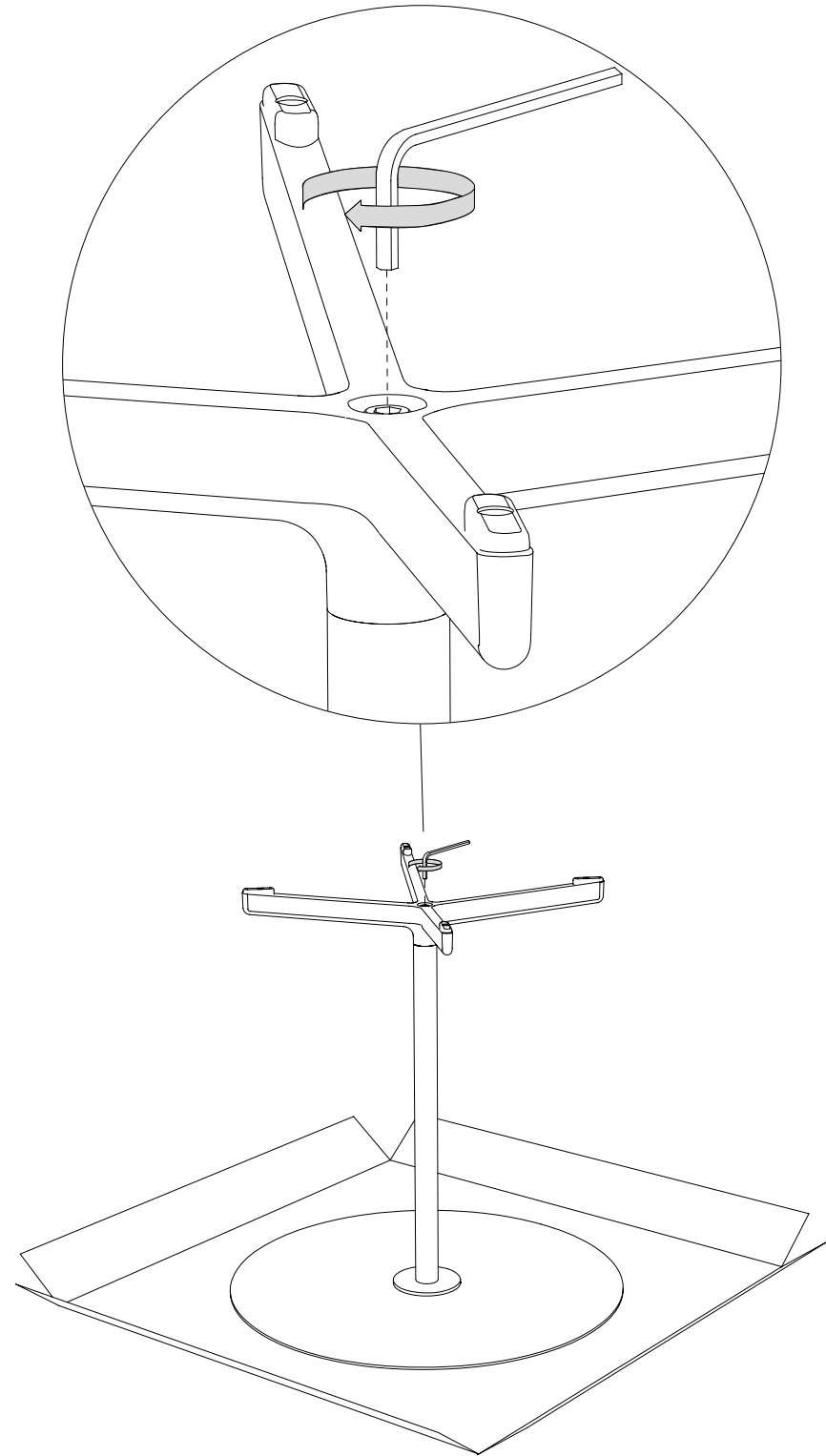
4.

Insert part D through part F (washer) and the hole in part C and make contact with the threaded part in the tabletop.



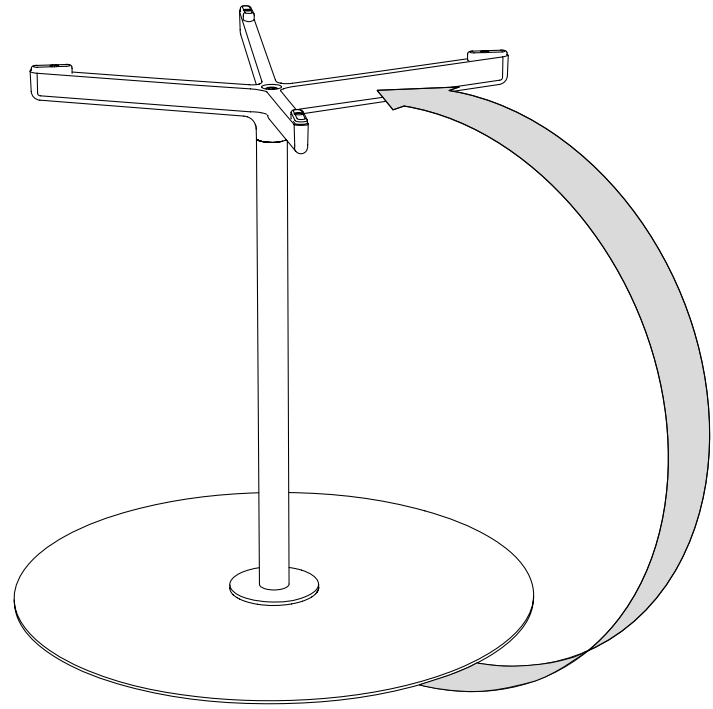
5.

Tighten part D.



6.

Turn the table over (2 persons recommended).







Havnen 1 8700 Horsens Denmark  
+45 4282 0282 / hay@hay.dk

**HAY**

ITEM NO. 706321

