

Daphne Cloe



Design: Tommaso Cimini, 2019

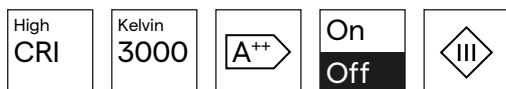


Table standing lamp of metal with an articulated arm, adjustable in all positions and equipped with a plug connection. Flat base in metal with electronic transformer. 360° rotating head. The light source is a 9 W-LED controlled by an ON-OFF switch.

Finishing

Standard



Black soft touch
cod. 07L01ST00



Matt white
cod. 07L02OP00



Brushed nickel
cod. 07L4400

Special



Matt red
cod. 07L03OP00



Matt yellow
cod. 07L05OP00



Metallic bronze
cod. 07L29MT00

All RAL coating and galvanic finishes available upon request

Light emission

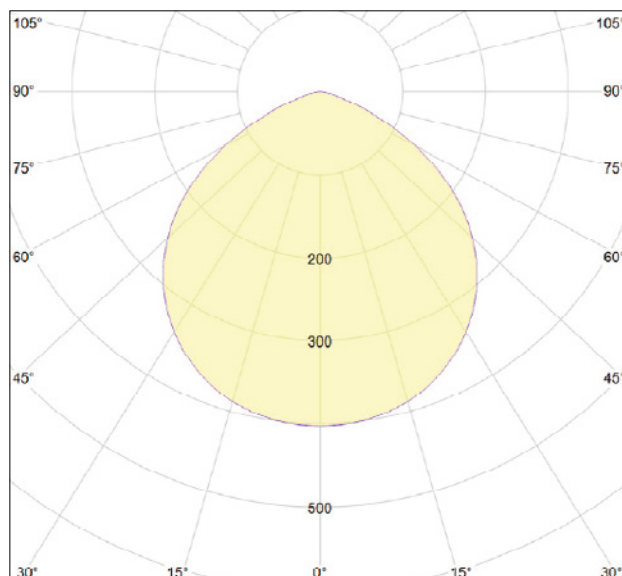
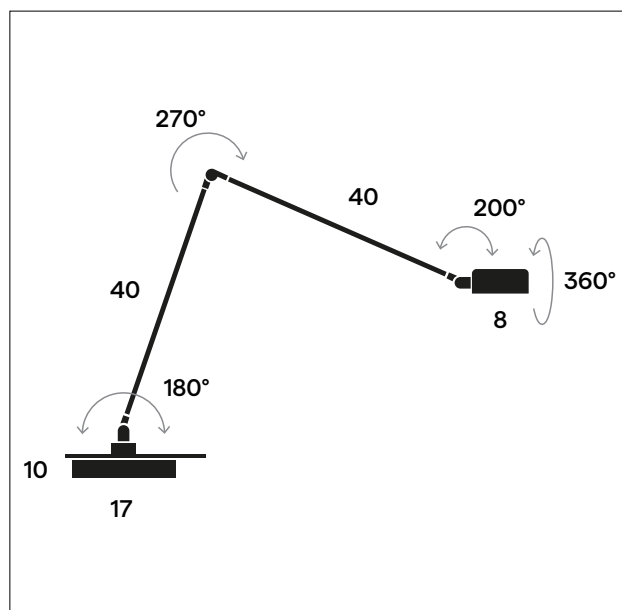
- Light emission: diffuse
- Light direction: downlight
- Light source: led board
- Source flux: 800 lm
- Emitted flux: 643 lm
- Efficacy: 64,3 lm/W
- CCT: 3000K
- CRI index: >95
- LLMF: 50000 h L70

Electrical Facts

- Source power: 9W
- Power absorption: 10W
- Stand-by absorption: < 1W
- Grid voltage: 100 – 240 V AC / 50-60 Hz (EU/UK plug equipped)
- Power supply: internal AC-DC converter provided
- Dimmability: not dimmable
- Energy class: A++

Technical data

- Environment: indoor
- Placement: table
- Net weight: 2,2 Kg
- Certifications: pending
- Suggested ambient T: 25°C
- Maximum ambient T: 40°C
- Insulation class: III
- Protection class: IP20



Packaging
cardboard box
55 x 23 x 10 (cm)
0,013 m³

Gross weight
2,9 Kg

Daphne Cloe



Design: Tommaso Cimini, 2019

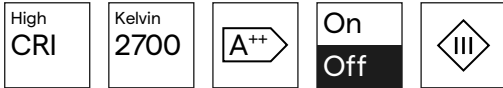


Table standing lamp of metal with an articulated arm, adjustable in all positions and equipped with a plug connection.
Flat base in metal with electronic transformer. 360° rotating head
The light source is a 9 W-LED controlled by an ON-OFF switch.

Finishing

Standard

 Black soft touch
cod. 07L01STK27

 Matt white
cod. 07L02OPK27

 Brushed nickel
cod. 07L44K27

Special

 Matt red
cod. 07L03OPK27

 Matt yellow
cod. 07L05OPK27

 Metallic bronze
cod. 07L29MTK27

All RAL coating and galvanic finishes available upon request

Light emission

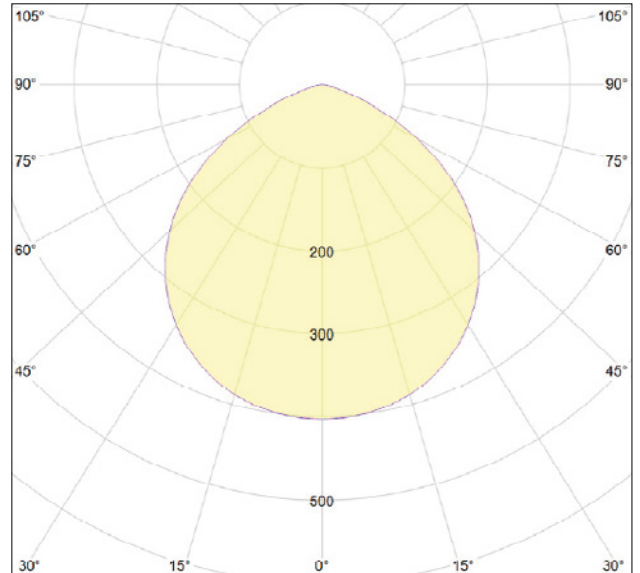
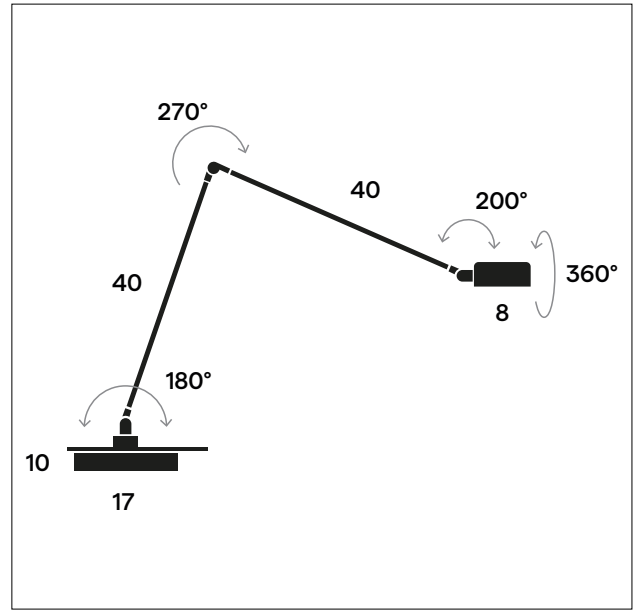
- Light emission: diffuse
- Light direction: downlight
- Light source: led board
- Source flux: 775 lm
- Emitted flux: 622 lm
- Efficacy: 62,2 lm/W
- CCT: 2700K
- CRI index: >95
- LLMF: 50000 h L70

Electrical Facts

- Source power: 9W
- Power absorption: 10W
- Stand-by absorption: < 1W
- Grid voltage: 100 – 240 V AC / 50-60 Hz (EU/UK plug equipped)
- Power supply: internal AC-DC converter provided
- Dimmability: not dimmable
- Energy class: A++

Technical data

- Environment: indoor
- Placement: table
- Net weight: 2,2 Kg
- Certifications: pending
- Suggested ambient T: 25°C
- Maximum ambient T: 40°C
- Insulation class: III
- Protection class: IP20



Packaging
cardboard box
55 x 23 x 10 (cm)
0,013 m³

Gross weight
2,9 Kg