

ELLISSE PENDANT MAJOR

Federico Palazzari

Collection of LED suspension lamps in extruded aluminum made in different versions: minor, major, double and the new "oversize" triple, mega and double mega versions, for direct or indirect diffused light. Available in different finishes, matt painted in white, black and gold, natural polished and glossy gold anodized. Opal diffuser. Ellisse is realized through a proprietary technology of coupling of the extrusions. The model "Major" is also available floor and wall versions.



DOWNLIGHT | 3000K

LAMPING

Source	linear LED
Total power	66W
Emission	diffused orientable
Switching	dimmable 1-10V
Tension	110/230V
Color temperature	3000K
Luminous flux	3450lm (luminous output)
Typ cri	85
Energy class	A+
Materials	Aluminium
Notes	cable length 2,5m; adjustable cable length up to 0,4 m
Net lamp weight	5 Kg

Codes

ELP LWW 54
ELP LNW 54
ELP LOW 54
ELP LLW 54

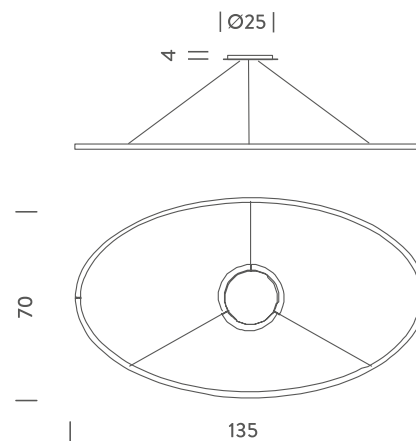
Structure/Diffuser

white/white
black/white
gold painted/white
polished aluminium/white

PACKAGE

Package 01 80x150x15 cm / Gross weight: 7.5 Kg

Certificazioni



DOWNLIGHT | 2700K

LAMPING

Source	linear LED
Total power	66W
Emission	diffused orientable
Switching	dimmable 1-10V
Tension	110/230V
Color temperature	2700K
Luminous flux	3450lm (luminous output)
Typ cri	85
Energy class	A+
Materials	Aluminium
Notes	cable length 2,5m; adjustable cable length up to 0,4 m
Net lamp weight	5 Kg

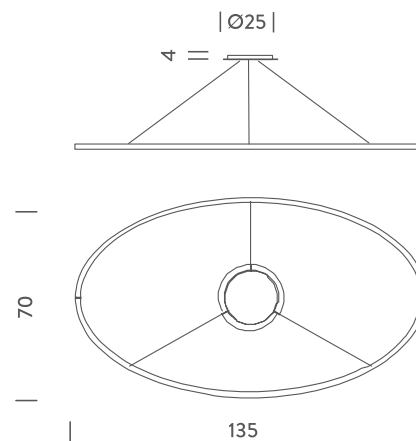
Codes

ELP LW2 54	white/white
ELP LN2 54	black/white
ELP LGW 54	gold polished anodized/white
ELP LL2 54	polished aluminium/white
ELP LO2 54	gold painted/white

PACKAGE

Package 01	80x150x15 cm / Gross weight: 7.5 Kg
------------	-------------------------------------

Certificazioni



UPLIGHT | 3000K

LAMPING

Source	linear LED
Total power	66W
Emission	diffused orientable
Switching	dimmable 1-10V
Tension	110/230V
Color temperature	3000K
Luminous flux	3450lm (luminous output)
Typ cri	85
Energy class	A+
Materials	Aluminium
Notes	cable length 2,5m; adjustable cable length up to 0,4 m
Net lamp weight	5 Kg

Codes

ELP LWW 53
ELP LNW 53
ELP LLW 53
ELP LOW 53

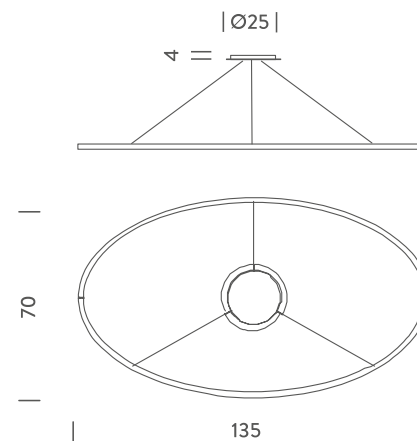
Structure/Diffuser

white/white
black/white
polished aluminium/white
gold painted/white

PACKAGE

Package 01	80x150x15 cm / Gross weight: 7.5 Kg
------------	-------------------------------------

Certificazioni



UPLIGHT | 2700K

LAMPING

Source	linear LED
Total power	66W
Emission	diffused orientable
Switching	dimmable 1-10V
Tension	110/230V
Color temperature	2700K
Luminous flux	3450lm (luminous output)
Typ cri	85
Energy class	A+
Materials	Aluminium
Notes	cable length 2,5m; adjustable cable length up to 0,4 m
Net lamp weight	5 Kg

Codes

ELP LW2 53	white/white
ELP LN2 53	black/white
ELP LGW 53	gold polished anodized/white
ELP LL2 53	polished aluminium/white
ELP LO2 53	gold painted/white

PACKAGE

Package 01	80x150x15 cm / Gross weight: 7.5 Kg
------------	-------------------------------------

Certificazioni

