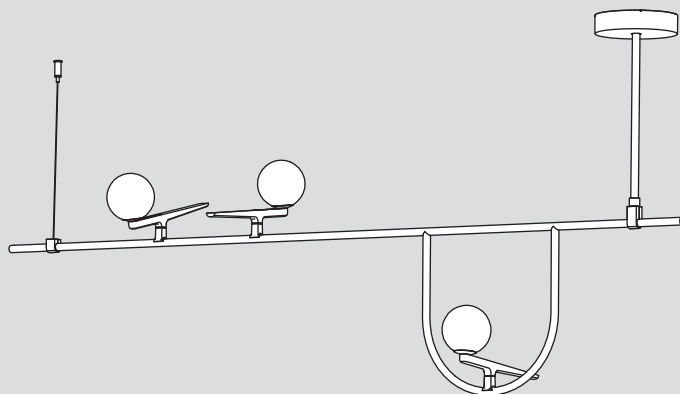
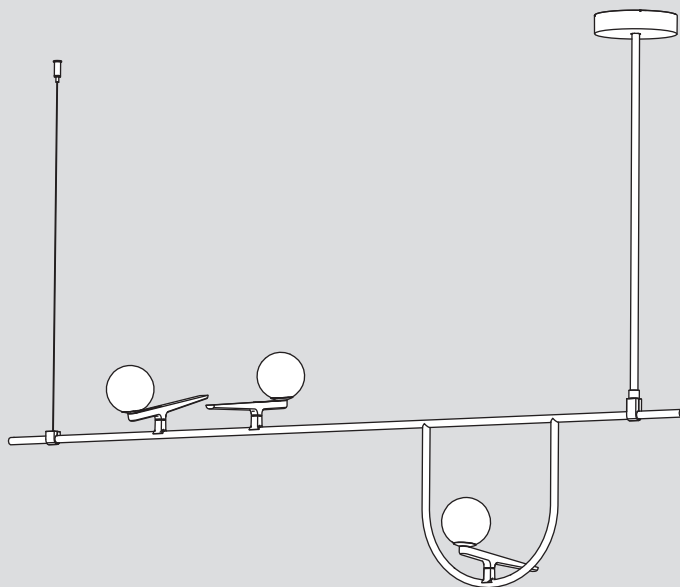


Artemide®

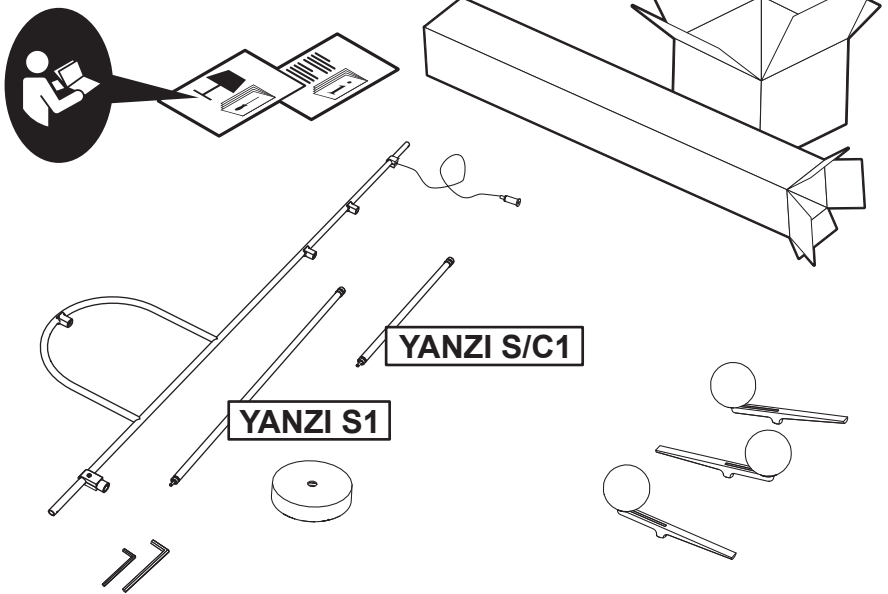
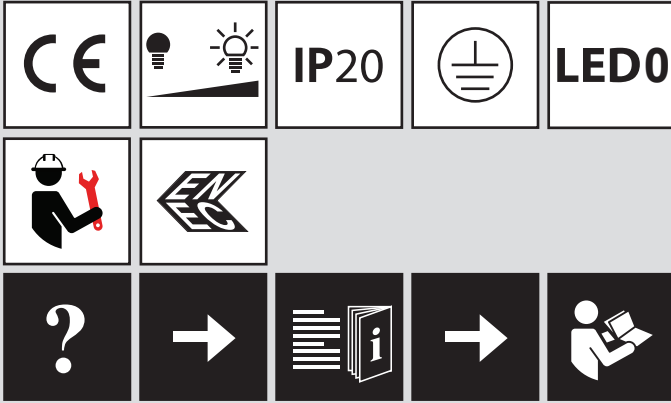
Yanzi

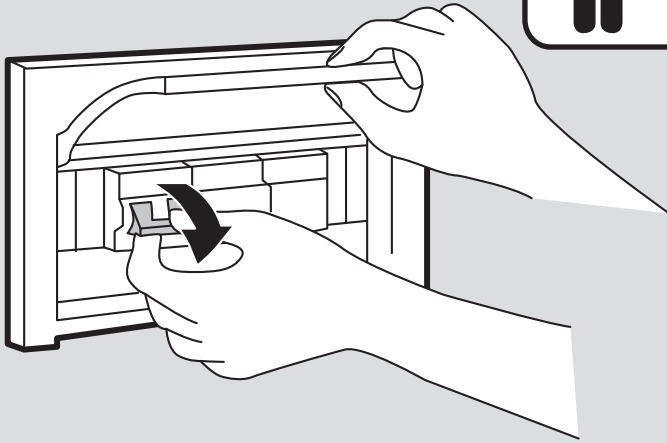
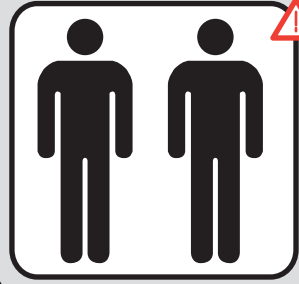
design
Neri & Hu



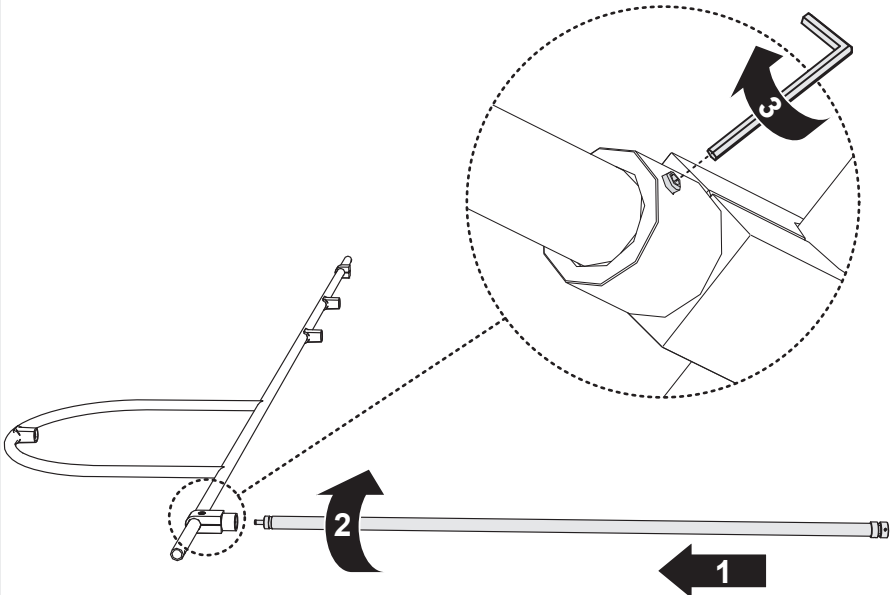


i

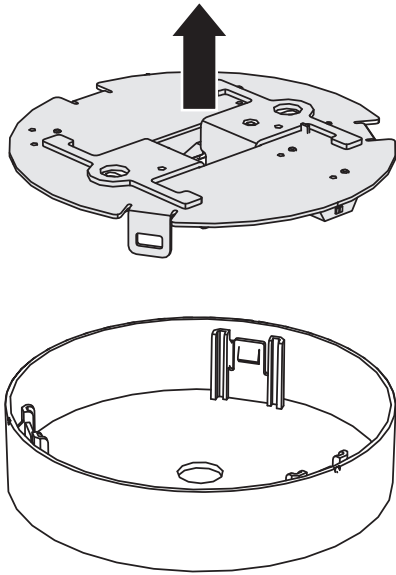




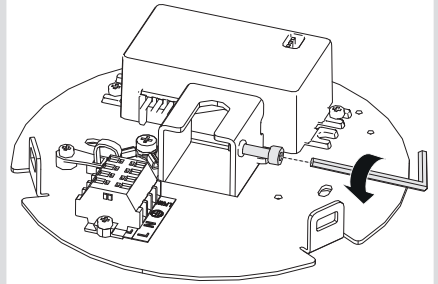
1



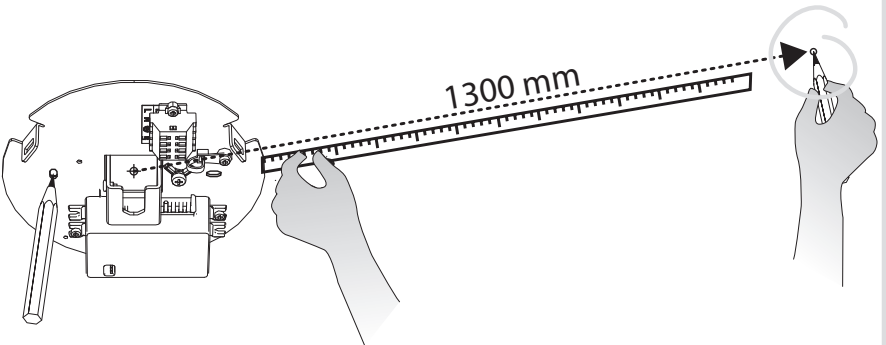
2



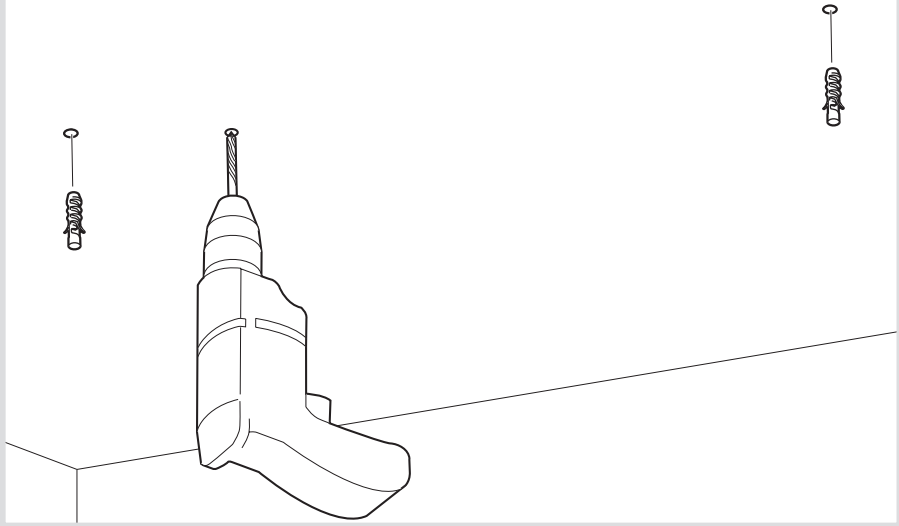
3



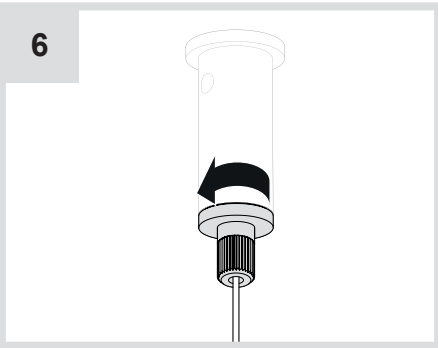
4



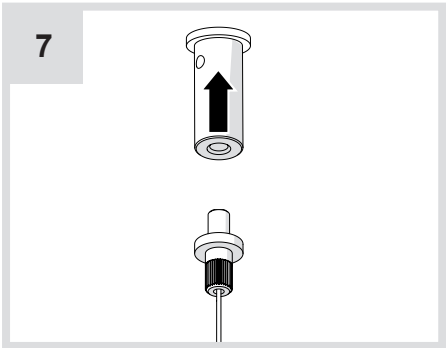
5



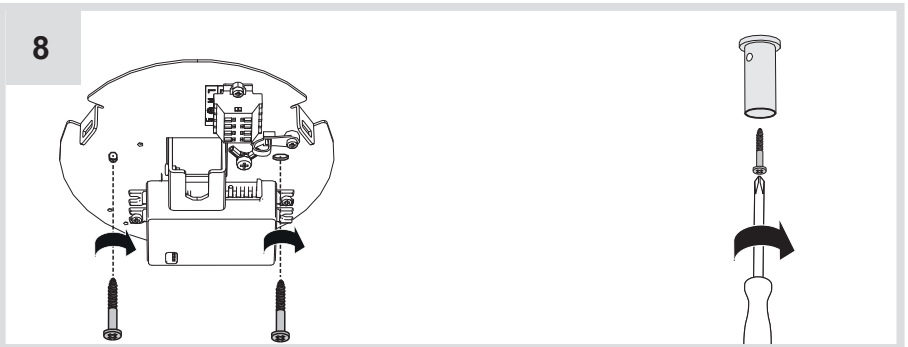
6



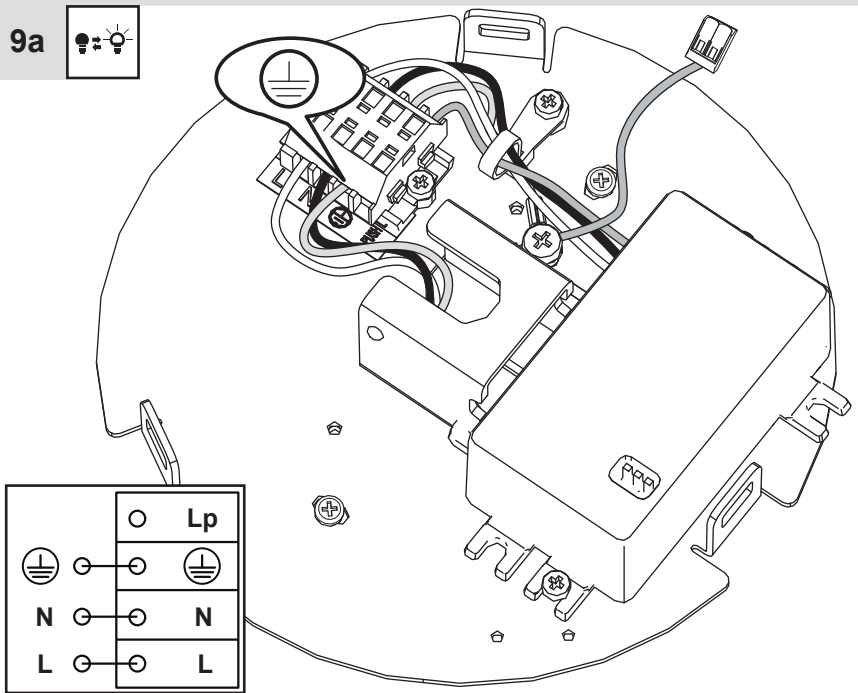
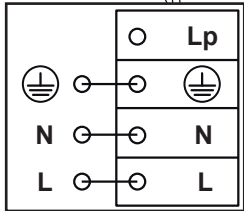
7



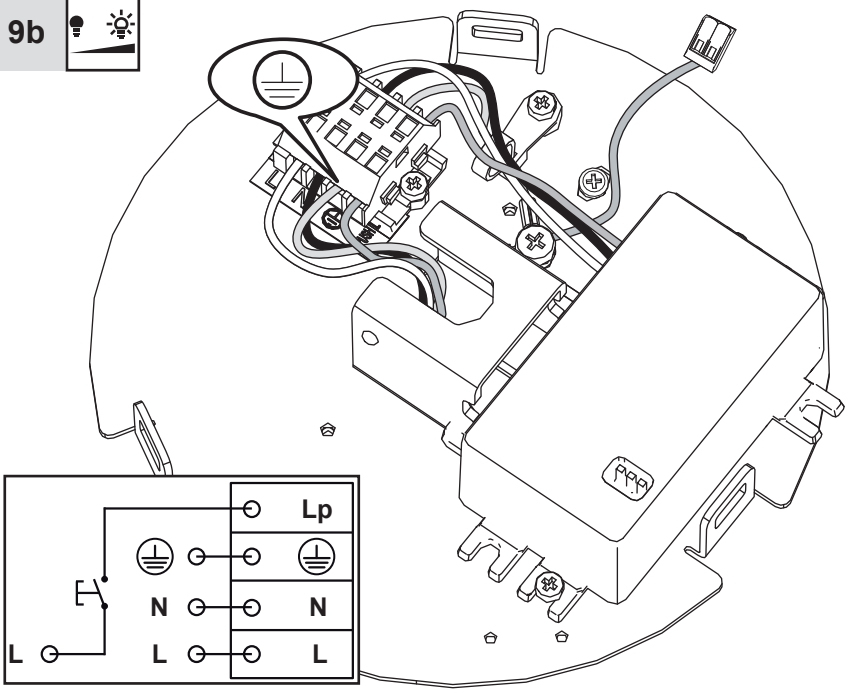
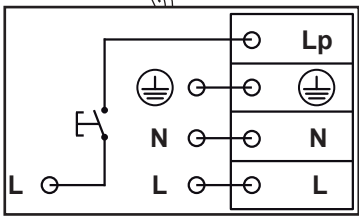
8



9a



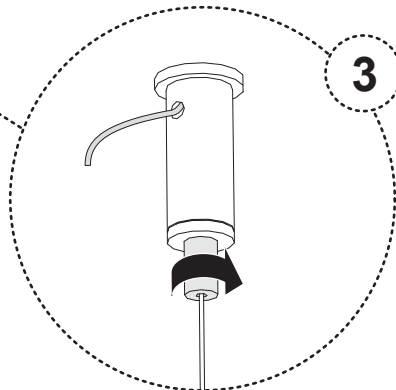
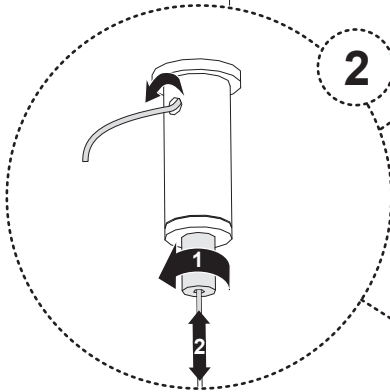
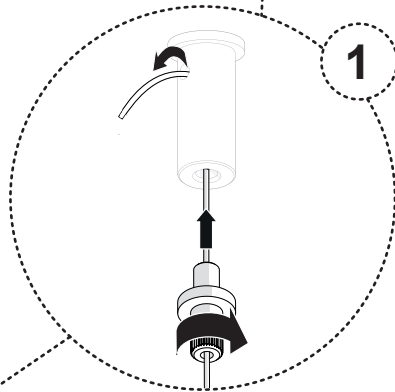
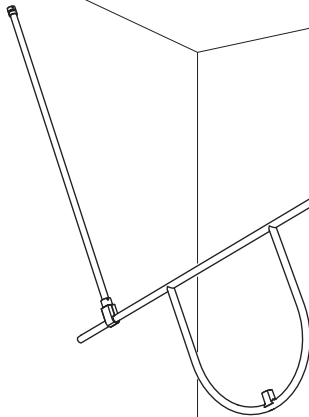
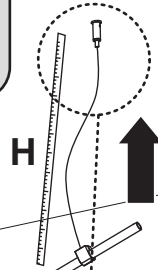
9b



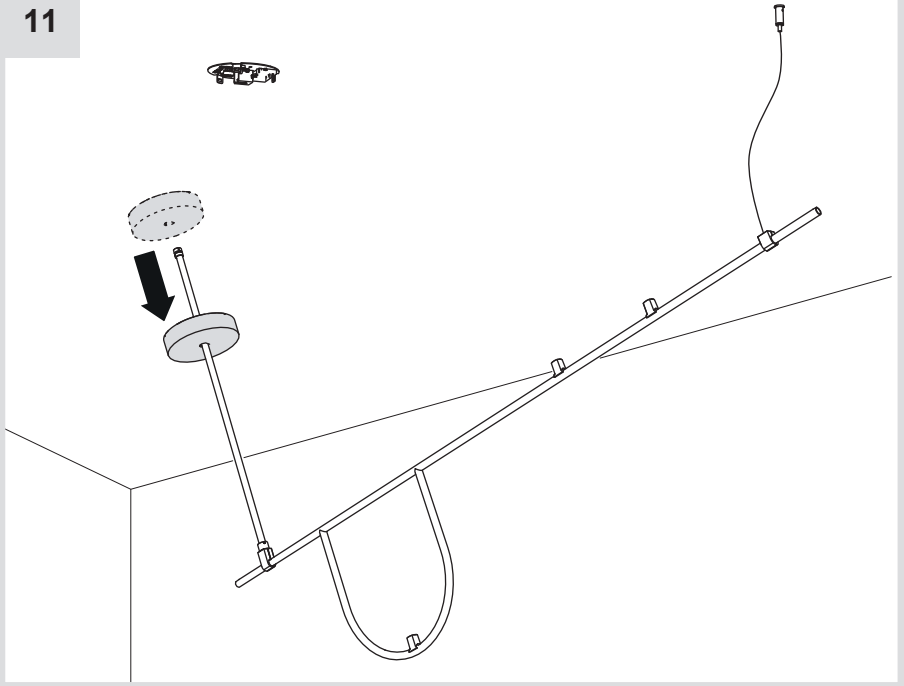
i

YANZI S/C1 ➔ H=275 mm

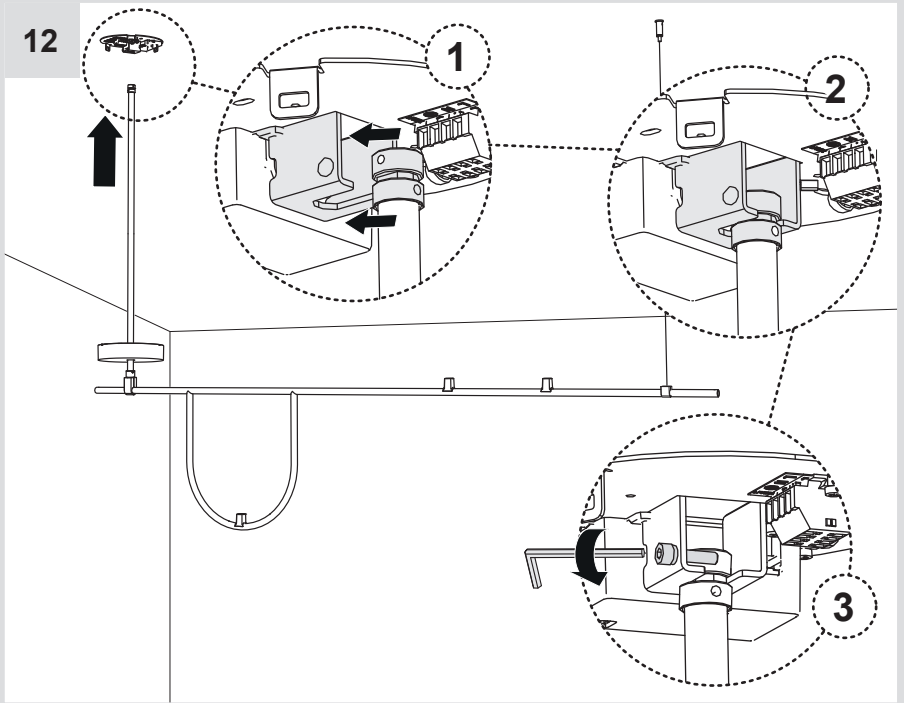
YANZI S1 ➔ H=700 mm



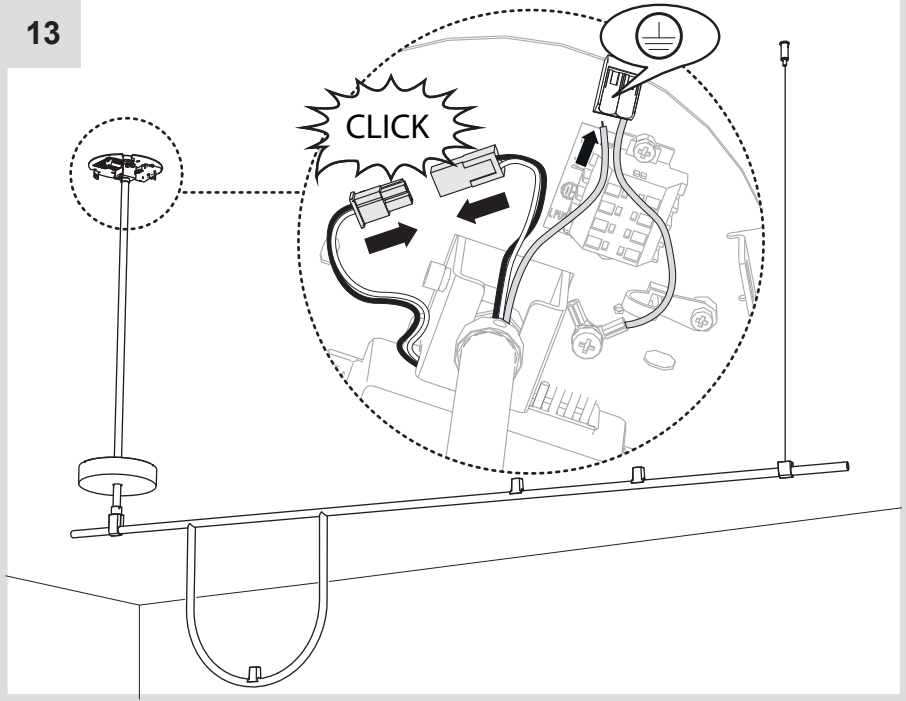
11



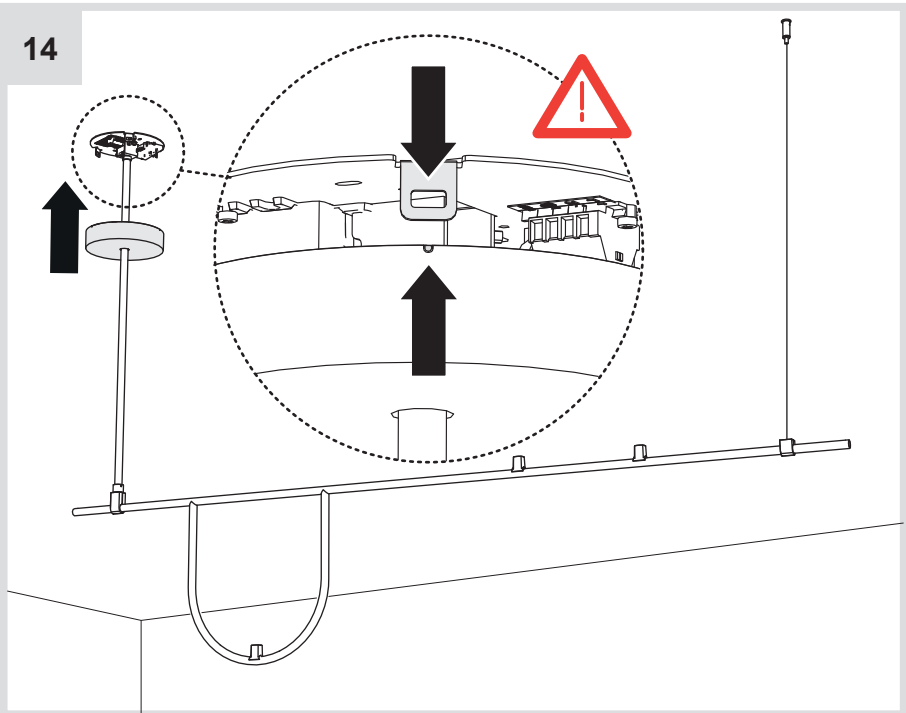
12



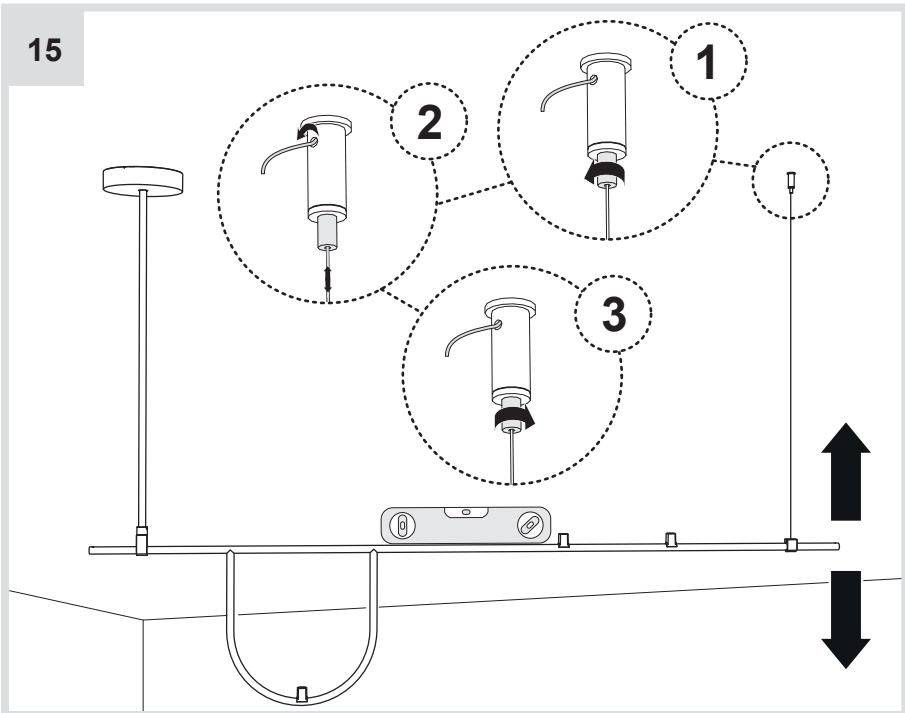
13



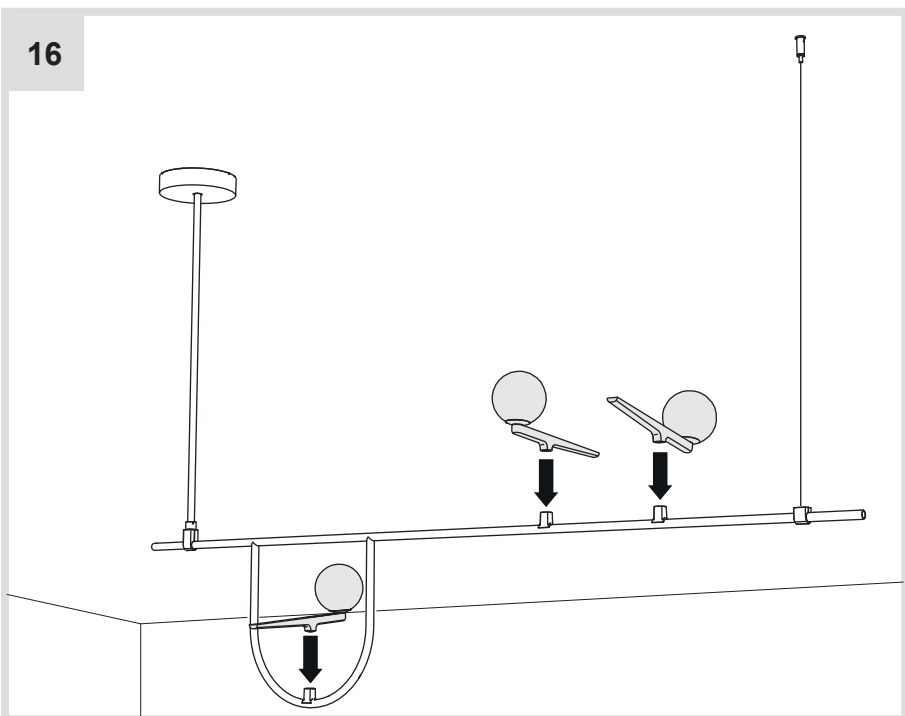
14

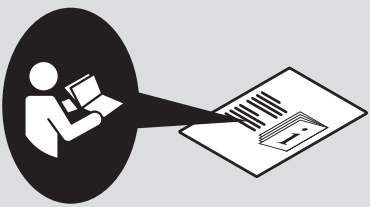
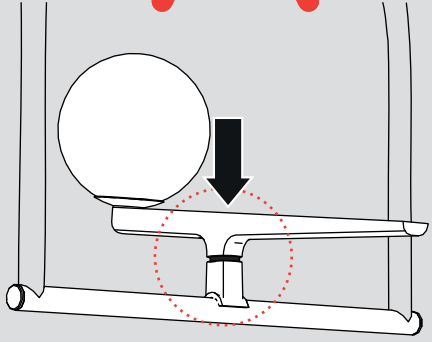
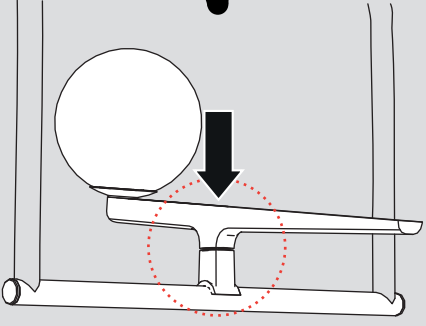


15



16





Artemide®



Artemide

via Bergamo, 18
20010 Pregnana M.se (MI)
ITALIA

tel. +39 02 935 181
fax +39 02 935 90 254
fax +39 02 935 90 496

www.artemide.com

VAT IT00846890150

cod. Y513000884D