



## *Container table top-HPL*

The container table concept is a fully versatile system that has endless composition possibilities to suit your space. With combinations to suit your home, office or public space the container table can far exceed your requirements.

<i>Designer</i>	Marcel Wanders
<i>Year of design</i>	2003
<i>Material</i>	High pressure laminate (based on thermosetting resins) Homogeneously reinforced with wood fibres
<i>Additional Product Codes</i>	Manufactured under high pressure & temperatures for outdoor use.
	Moooi, tables, container table top HPL-Ø70 MOTCHR070*-
	Moooi, tables, container table top HPL-70x70 MOTCHS077*-
	Moooi, tables, container table top HPL-80x80 MOTCHS088*-
	Moooi, tables, container table top HPL-Ø90 MOTCHR090*-
	Moooi, tables, container table top HPL-90x90 MOTCHS099*-
	Moooi, tables, container table top HPL-Ø120 MOTCHR120*-
	Moooi, tables, container table top HPL-120x120 MOTCHS122*-
	Moooi, tables, container table top HPL-Ø140 MOTCHR140*-
	Moooi, tables, container table top HPL-Ø160 MOTCHR160*-
	Moooi, tables, container table top HPL-160x160 MOTCHS166*-
	Moooi, tables, container table top HPL-Ø180 MOTCHR180*-
	Moooi, tables, container table top HPL-180x80 MOTCHS1808*-

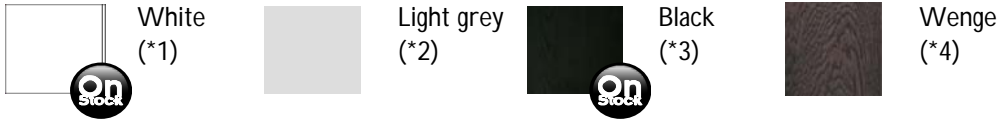
### *Detailing*



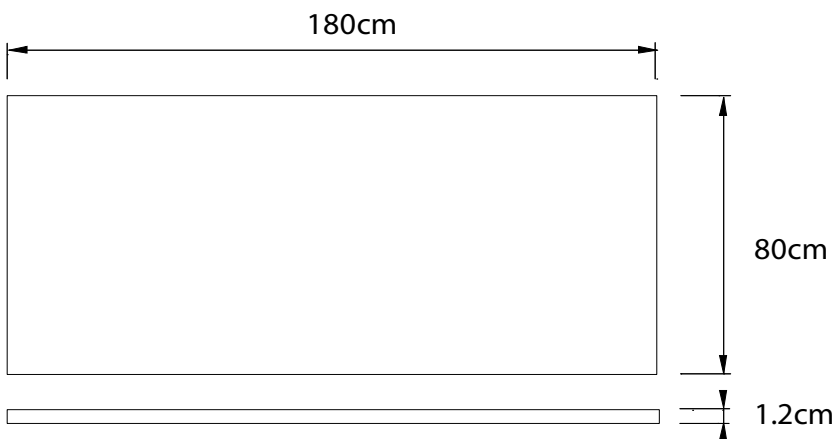
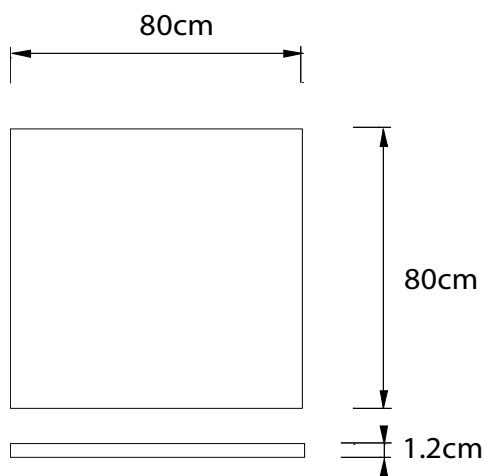
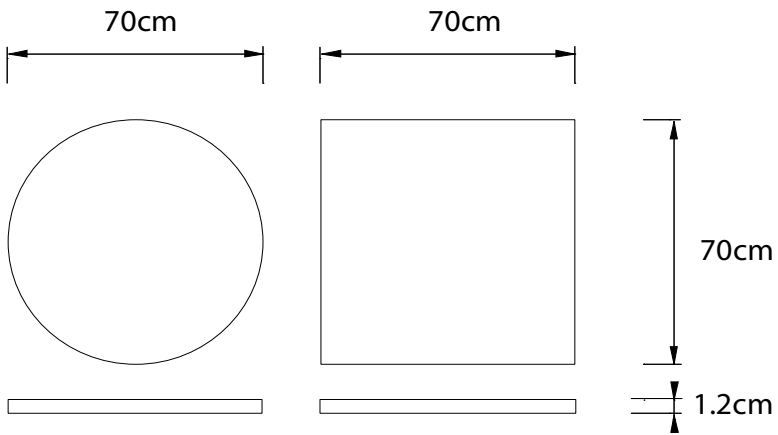
Table top thickness: 1.2cm.  
The edges of the HPL tops are always black.

m o o o i<sup>®</sup>

*Colour*



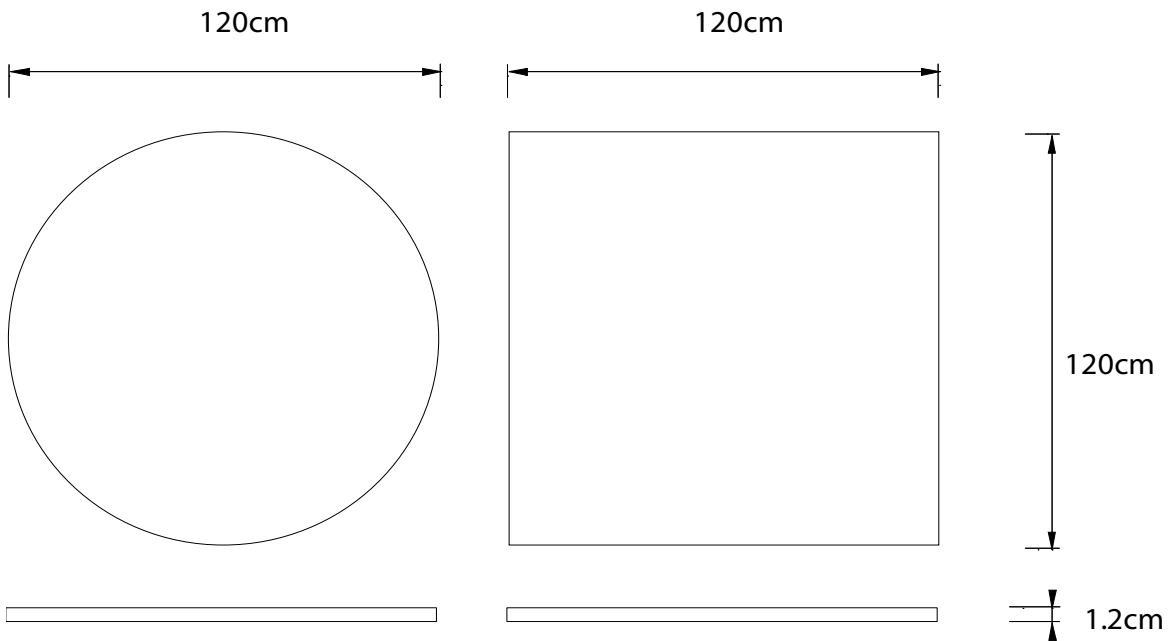
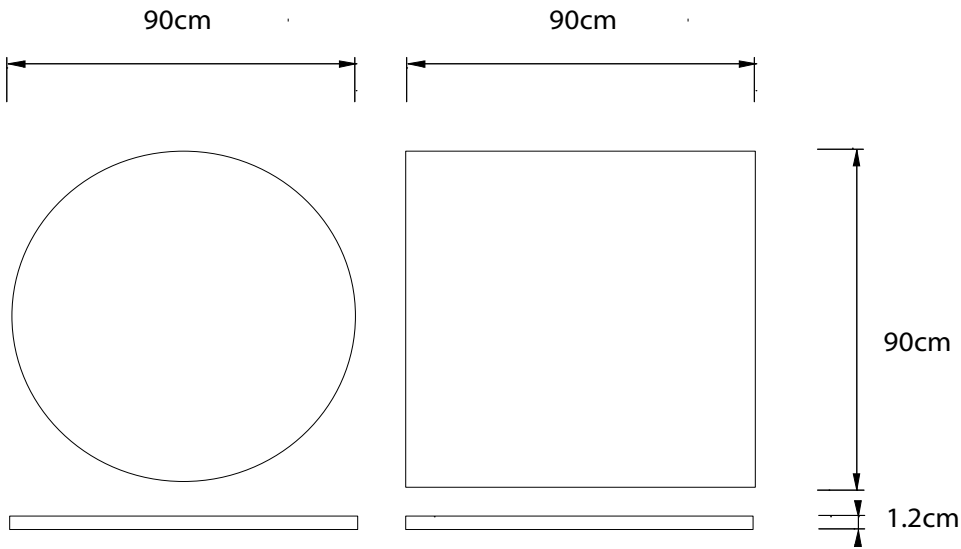
*Main dimensions*



m o o o i<sup>®</sup>

---

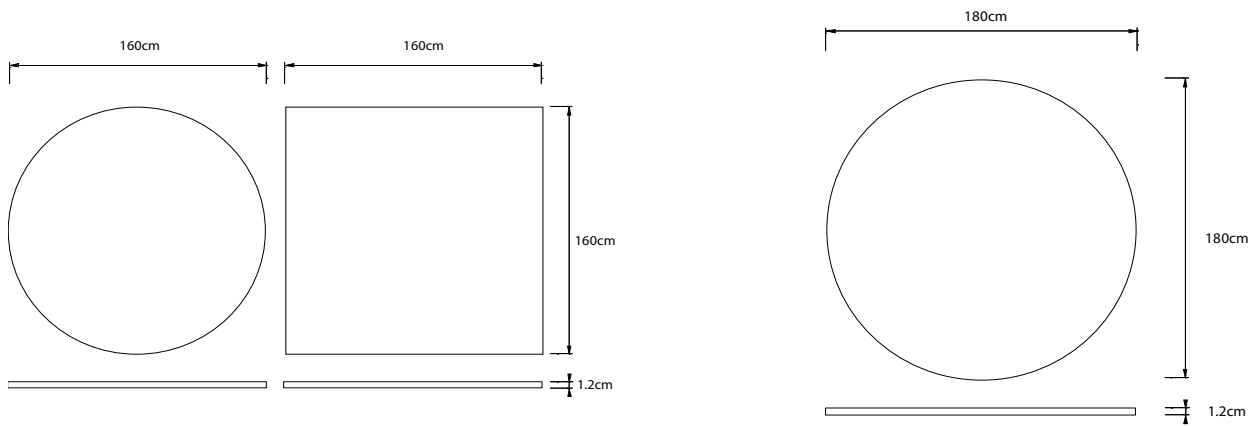
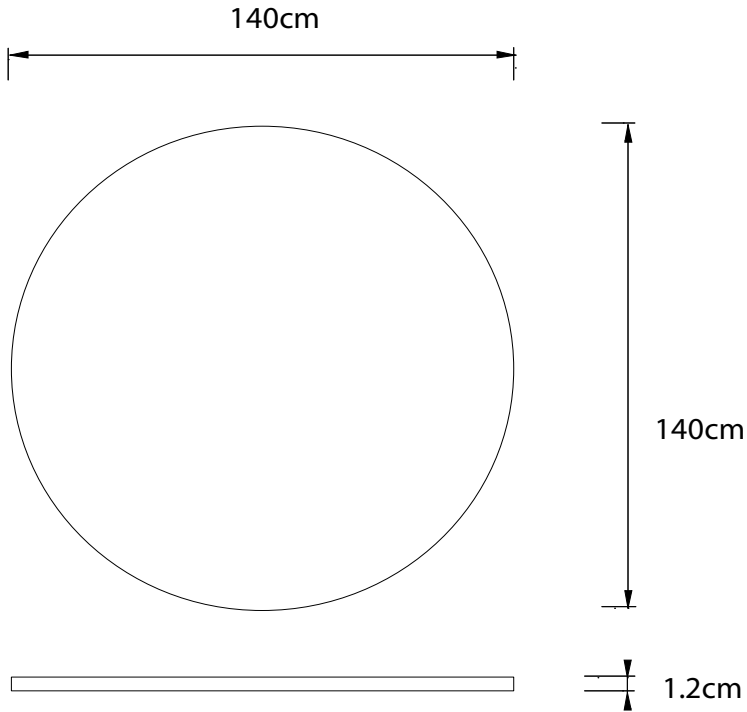
*Main dimensions*





---

**Main dimensions**



(These drawings are not in scale due to their large size.)

---

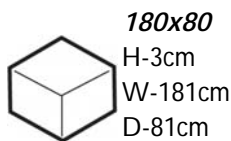
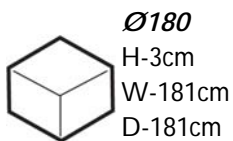
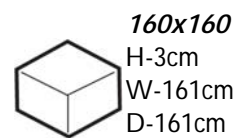
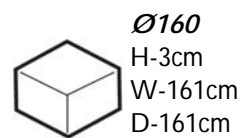
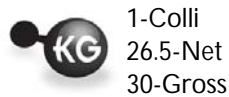
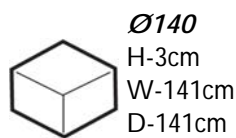
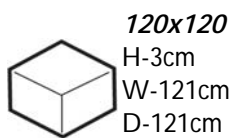
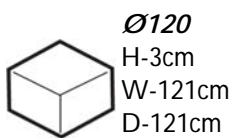
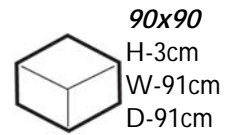
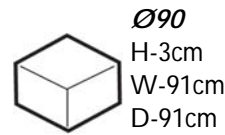
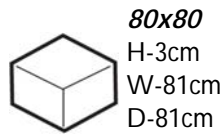
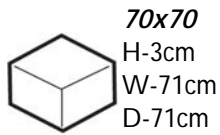
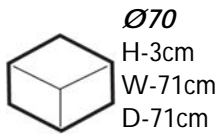
**Technical**

All Container table tops all attach to the container foot in the same way. The Container concept is that sand or treated water can be added to the foot to give it strength and stability. Water must always be treated with an anti-algae additive to prevent the water from becoming stale. There are 5 Hex-bolts on the underside of each table which align with 5 equally spaced holes in the mounting disk.

---

# m o o o i<sup>®</sup>

## Packaging



m o o o i<sup>®</sup>

---

*Photography*



Photography by Maarten van Houten

---

***Cleaning Instructions***

Moooi recommends using a trusted household furniture polish or a regular household cleaning spray and a soft, non-abrasive cloth to create an even sheen. Always read the label of any cleaning products you wish to use on Moooi furniture.

---