

# MAGIS

Sam Son by Konstantin Grcic



# Konstantin Grcic



## Profile:

Konstantin Grcic (\*1965) was trained as a cabinet maker at The John Makepeace School for Craftsmen in Wood before studying Design at the Royal College of Art in London. Today Konstantin Grcic Design is based in Berlin and active in several fields ranging from industrial design projects, exhibition design and collaborations in architecture and fashion.

Among his producers, besides Magis, are Artek, Authentics, Cassina, ClassiCon, Flos, Flötotto, Kettal, Laufen, Mattiazzi, Muji, Mutina, Nespresso, Plank, Serafino Zani and Vitra. From the fashion and lifestyle sector, Audi, Hugo Boss, Issey Miyake, Louis Vuitton,

Prada, Rado and smart/Daimler are some of his clients. Many of his products have been awarded international design prizes. He received the Compasso d'Oro in 2001 for the Mayday lamp (Flos), 2011 for the Myto chair (Plank) and 2016 for the OK lamp (Flos). For Tom and Jerry from Magis' series The Wild Bunch he received the German Design Award in Gold in 2011.

Grcic defines function in human terms, combining formal strictness with considerable mental acuity and humour. His work is characterised by a careful research into the history of art, design and architecture and his passion for technology and materials.





DREAM BIG  
BUT PLEASE - THANK YOU  
TRY YOUR BEST  
BE GRATEFUL  
CHOOSE THE HAPPY  
SMILE  
HUG OFTEN  
OFFER HELP  
SING LAUGH DANCE  
REMEMBER YOU ARE LOVED

BAG

ANNE LEIBOWITZ

Steve McC

KATE MOSS

HENRI CARTIER-BRESSON

HELMUT NEWTON

GRANDI FOTOGRAFI

MAGNUM LA STORIA DELLA FOTO

UN BRAVE

THE WORLD GOES POP

ERWITT

SLAUGHTERHOUSE ANGELS

BUDDHA

MARE

H. Bitesnich India

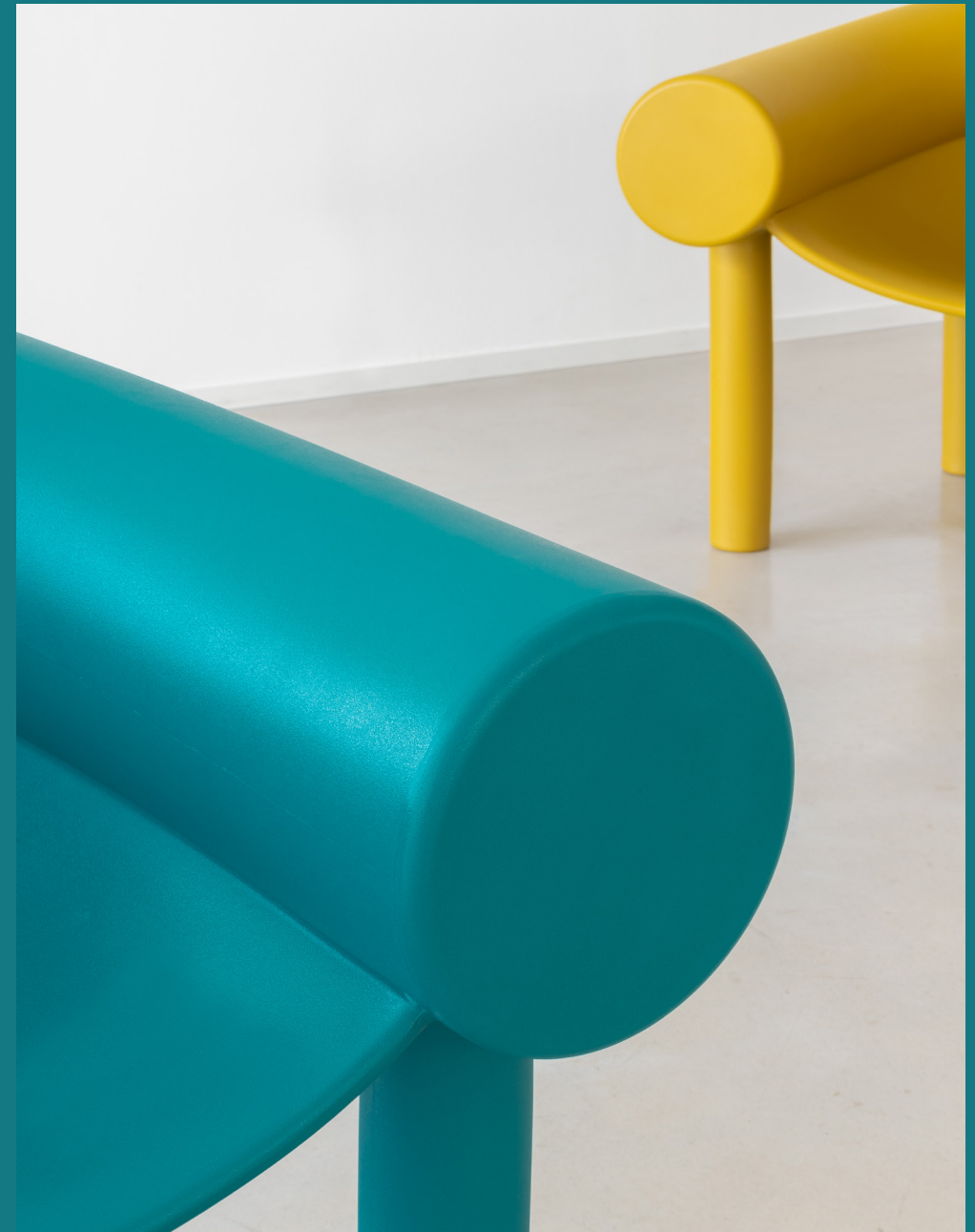
China

New York



# Design and

Sam Son is an easy armchair with a hint of a cartoon character. Supported on four stilt legs, the armchair features a softly suspended seat shell between a giant, horseshoe-shaped element, the chair's characteristic armrest and backrest. Made from two different rotational mouldings, the armchair combines a rigid plastic for its base and a more elastic polymer for the upper part. The exaggerated size of the armrest and backrest provides comfort and support and creates a protective space for sitting. Sam Son comes in five different colours and is suitable for both indoors and outdoors.



# Engineering



“ Sam Son combines a rigid plastic for its base



and a more elastic polymer for the upper part ”



# Information



# Product

Sam Son is in rotational-moulded polyethylene and is available in 5 different colours (white, curry, grey anthracite, red and petrol blue). Suitable for outdoor use.









White 1735 C



Curry 1014 C



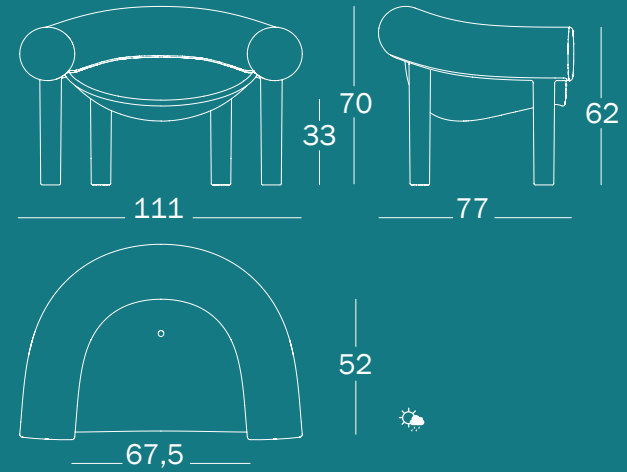
Grey Anthracite 1429 C



Red 1004 C



Petrol Blue



#### PRODUCT CARE

We recommend using a soft rag, either dry or wet. When needed, use ph-balanced soap diluted in water. Do not use abrasive sponges as they may leave scratches. Avoid using acidic products, solvents and products containing ammonia. Periodic maintenance and cleaning allows the products to keep their original look and lengthens the duration of their performance.

#### WARNING

Do not use different cleaning products from the ones mentioned above. Do not use the product in an improper way: do not place hot objects on it, seat on the back, stand on it or use the chair as a ladder. Once disused, please make sure this product is disposed in an environment-friendly way.







