

m o o o i

PLIE PLISSE LIGHT 60



visit [www.mooui.com](http://www.mooui.com) for more information about the collection

# moooi

## PLIE PLISSE LIGHT 60

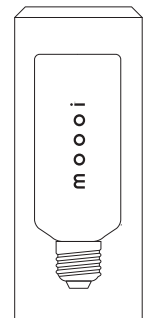
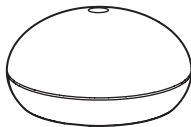
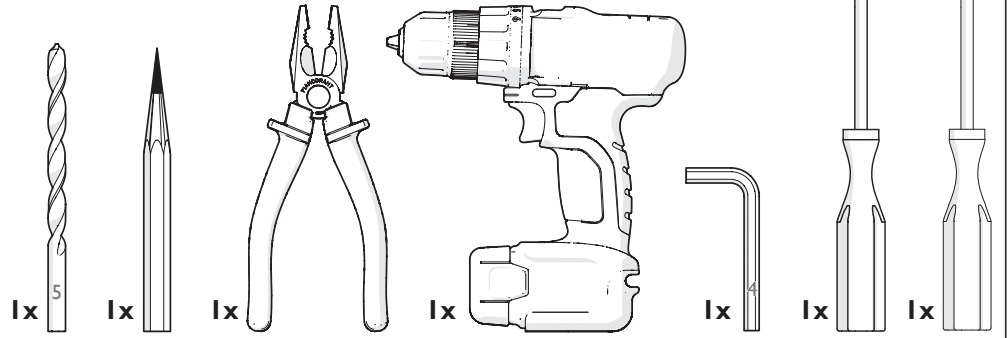
i



PLEASE HANDLE THIS PRODUCT WITH CARE.  
NEVER PLACE THE LAMP ON THE GROUND. THIS MAY DAMAGE THE PRODUCT



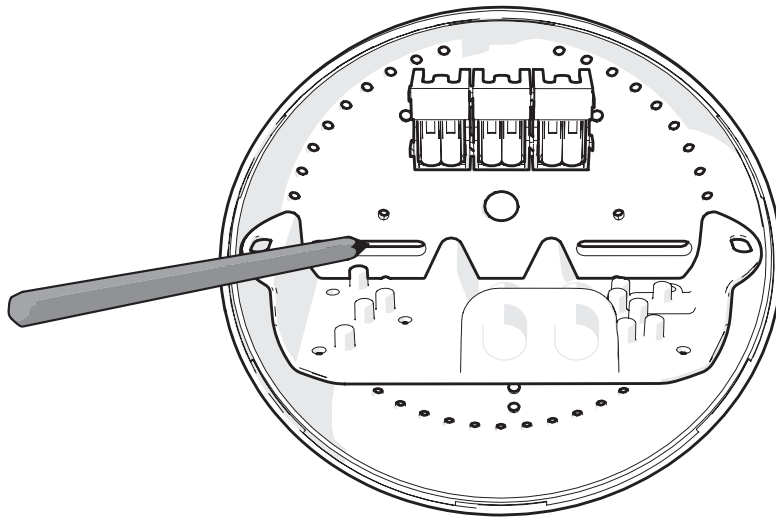
NOT INCLUDED



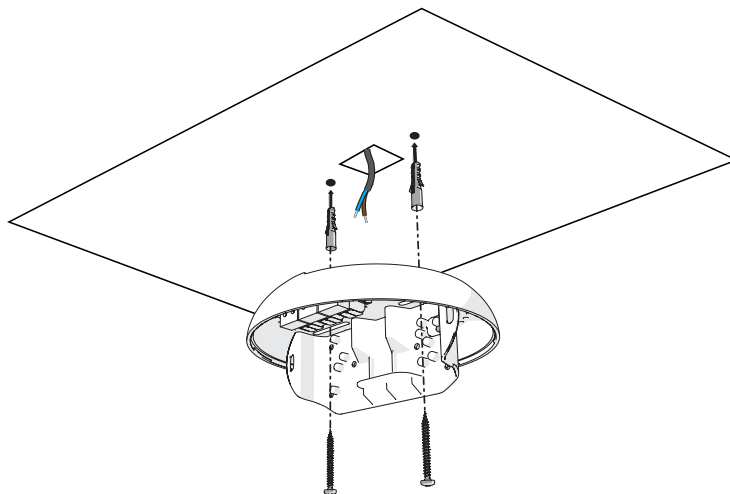
# moooi

PLIE PLISSE LIGHT 60

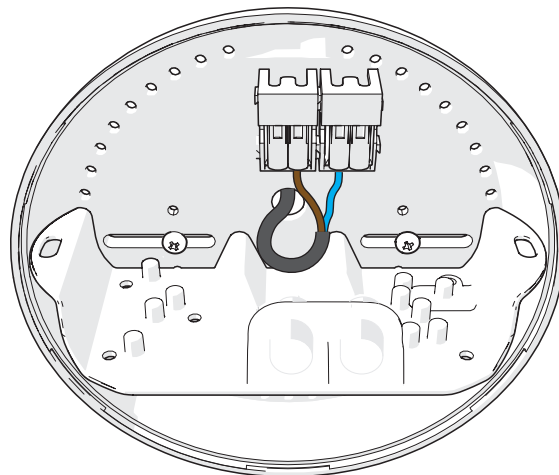
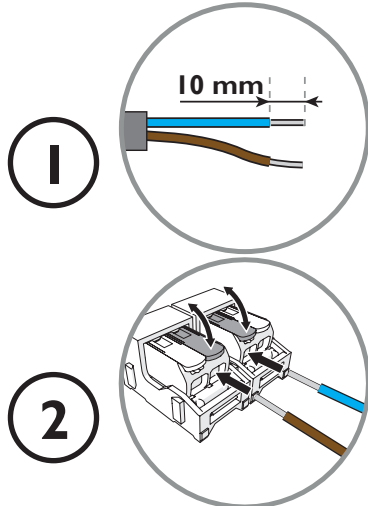
1



2



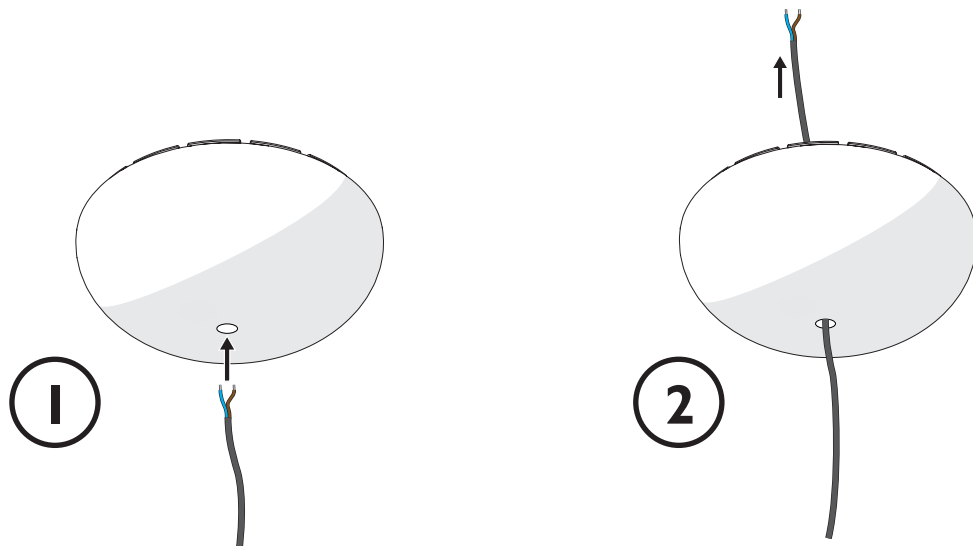
3



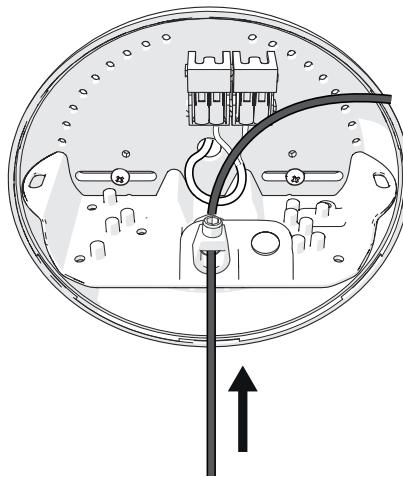
# m o o o i

PLIE PLISSE LIGHT 60

4



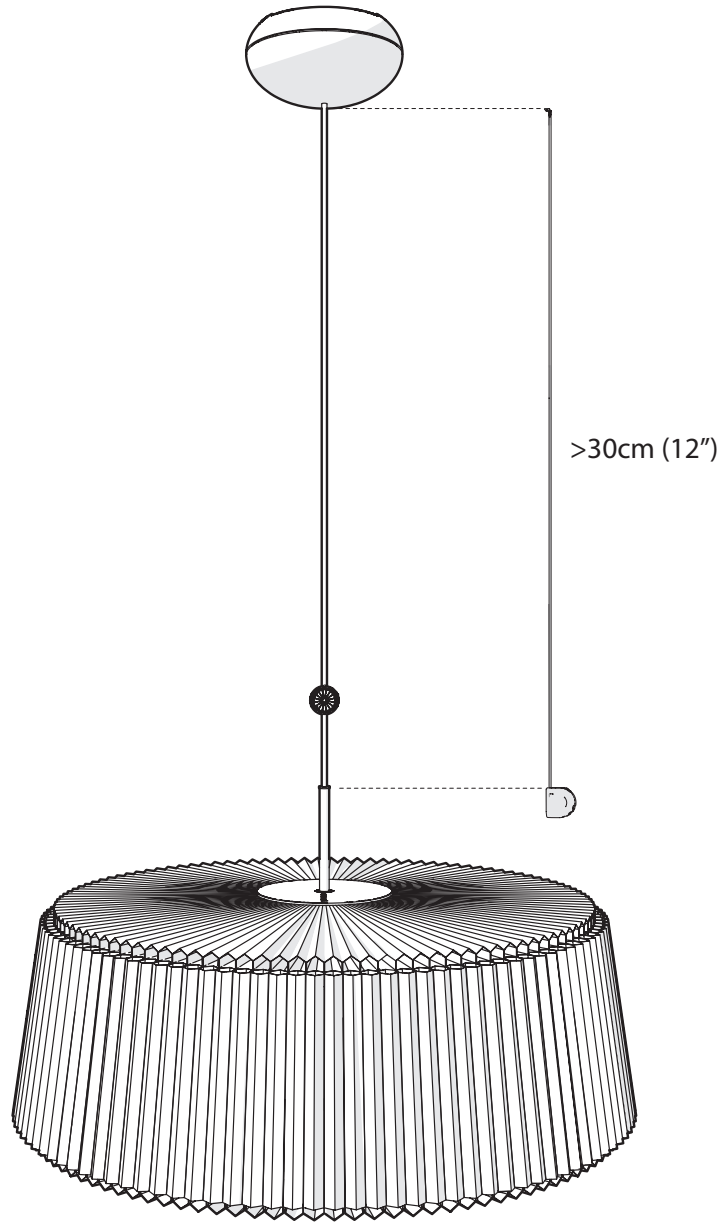
5



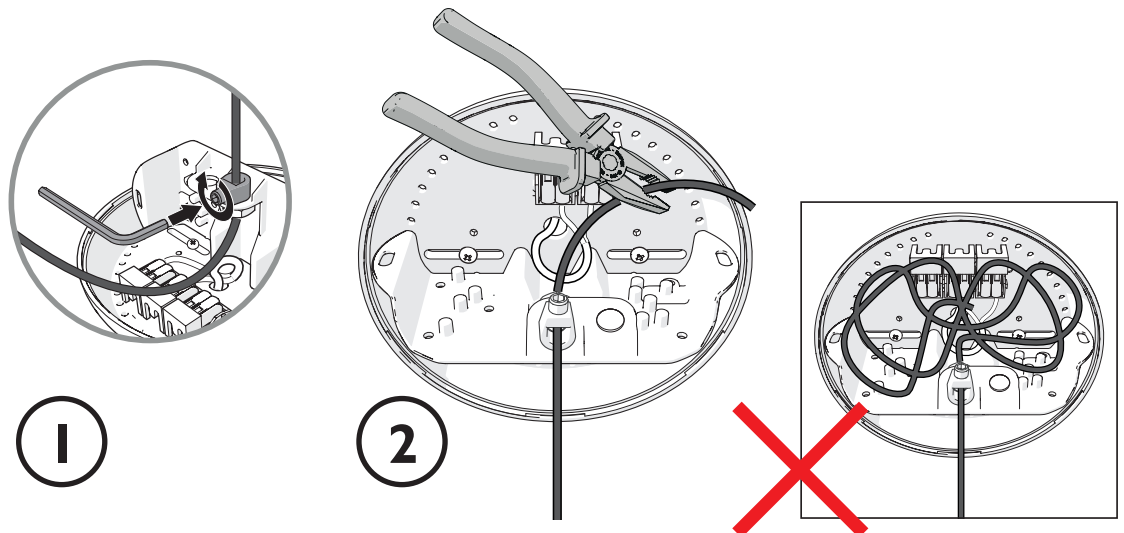
# moooi

PLIE PLISSE LIGHT 60

6



7

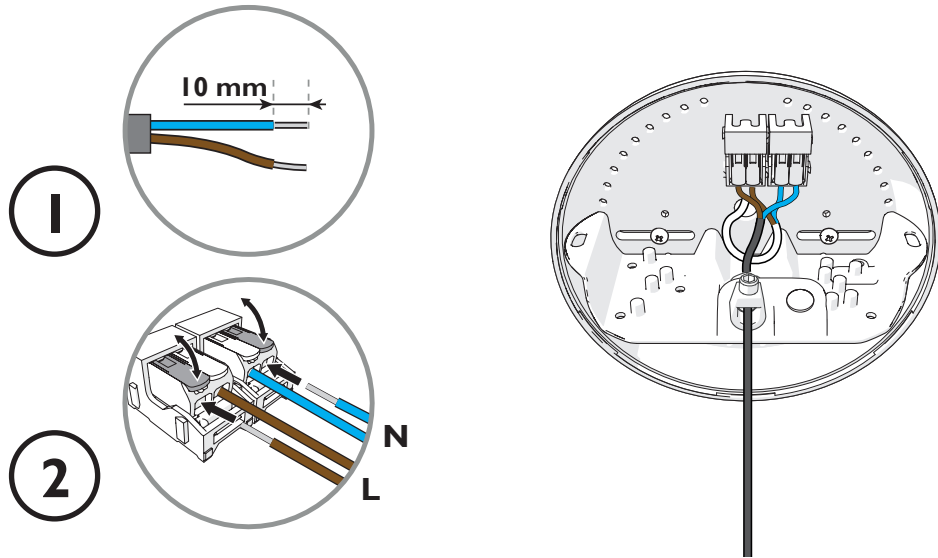


visit [www.moooi.com](http://www.moooi.com) for more information about the collection

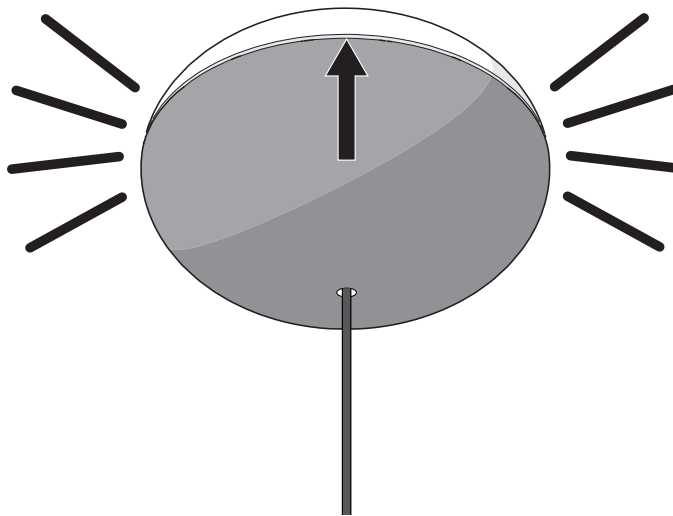
# m o o o i

## PLIE PLISSE LIGHT 60

8



9



m o o o i

CAN ICES-005

THIS DEVICE COMPLIES WITH PART 15 OF THE FCC RULES.  
OPERATION IS SUBJECT TO THE FOLLOWING TWO CONDITIONS:

- (1) THIS DEVICE MAY NOT CAUSE HARMFUL INTERFERENCE, AND
- (2) THIS DEVICE MUST ACCEPT ANY INTERFERENCE RECEIVED,  
INCLUDING INTERFERENCE THAT MAY CAUSE UNDESIRE  
OPERATION

MOOOI B.V.

MINERVUM 7003  
BREDA  
THE NETHERLANDS



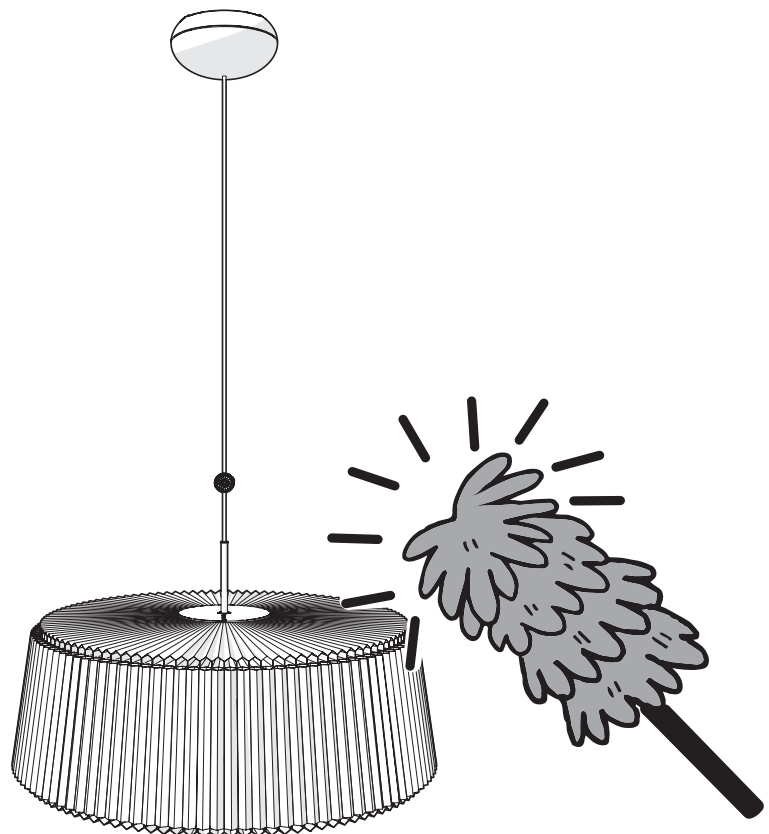
# moooi

PLIE PLISSE LIGHT 60

i



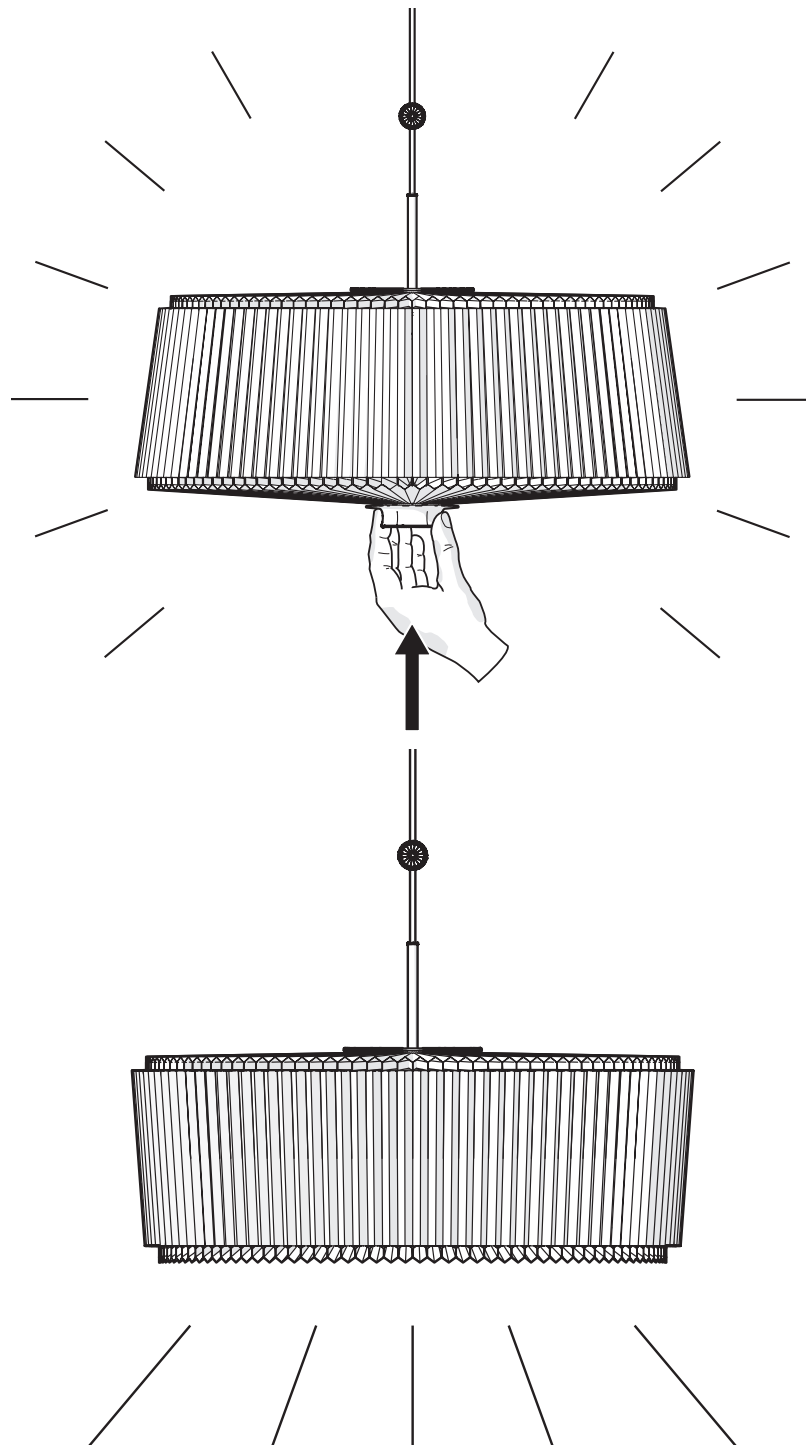
i



visit [www.moooi.com](http://www.moooi.com) for more information about the collection

m o o o i

PLIE PLISSE LIGHT 60



Thank you!

visit [www.mooui.com](http://www.mooui.com) for more information about the collection