

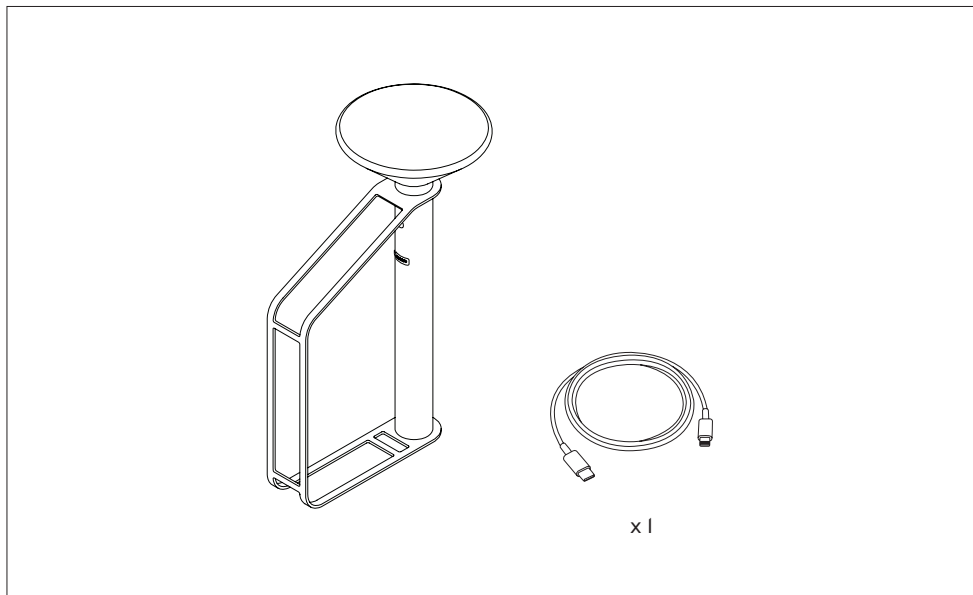
CLEANING — RENGØRING — SÄUBERN — NETTOYAGE — LIMPIEZA —
ТАЗАЛАУ — ОЧИСТКА

- EN Turn off electricity, clean with dry cloth.
- DK Afbryd elektricitet, rengør med tør klud.
- DE Strom abschalten, mit einem trockenen tuch reinigen.
- FR Eteindre l'électricité, nettoyer avec un chiffon humide.
- ES Apague la electricidad, limpie con un paño seco.
- KZ Электр қуатын өшіріңіз, құрғақ шүберекпен тазалаңыз.
- RU Отключить электропитание, очистить сухой салфеткой.

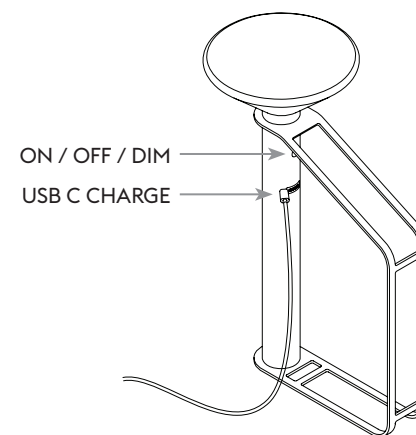
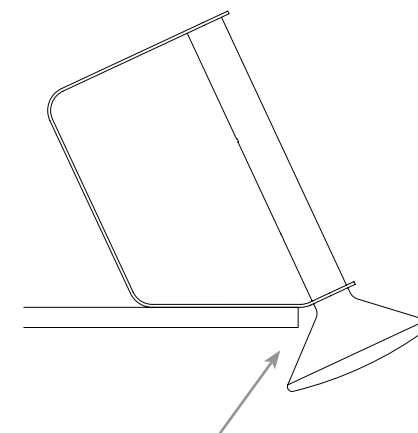
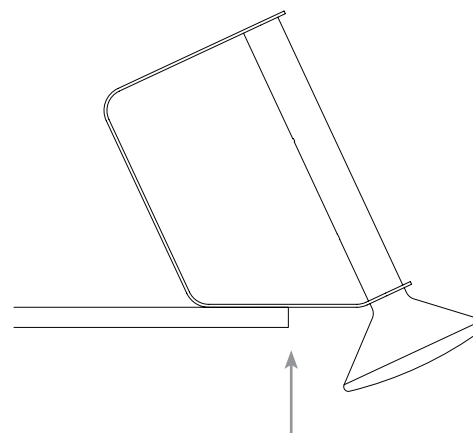
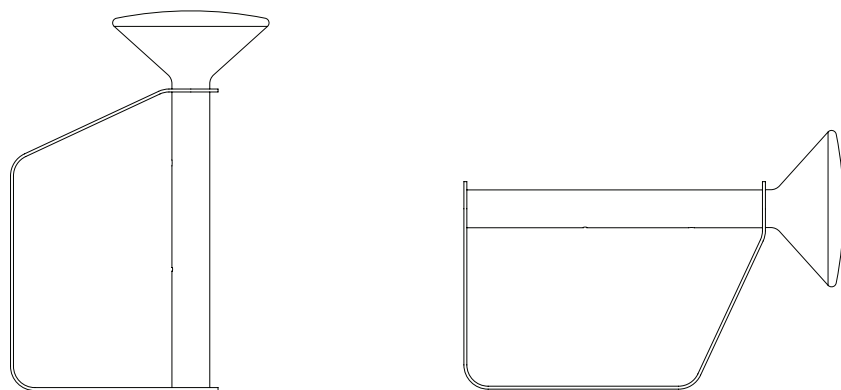
PITON PORTABLE LAMP

— Tom Chung

CONTENT – INDHOLD – INHALT – CONTENU – CONTENIDO –
 ҚҰРАМЫ – СОДЕРЖАНИЕ



ASSEMBLY INSTRUCTION – SAMLEMANUAL – MONTAGEANLEITUNG
 INSTRUCCIONES DE MONTAJE – INSTRUCCIONES DE MONTAJE –
 ҚҰРАСТЫРУ БОЙЫНША НҰСҚАУЛЫҚ – ИНСТРУКЦИЯ ПО СБОРКЕ



PITON PORTABLE LAMP
 OUTPUT: 9V DC, 3.5W LED
 CHARGING: 5V DC



THIS DEVICE COMPLIES WITH PART 15 OF THE FCC RULES.
 OPERATION IS SUBJECT TO THE FOLLOWING TWO CONDITIONS:
 (1) THIS DEVICE MAY NOT CAUSE HARMFUL INTERFERENCE, AND
 (2) THIS DEVICE MUST ACCEPT ANY INTERFERENCE RECEIVED,
 INCLUDING INTERFERENCE THAT MAY CAUSE UNDESIRABLE
 OPERATION.