

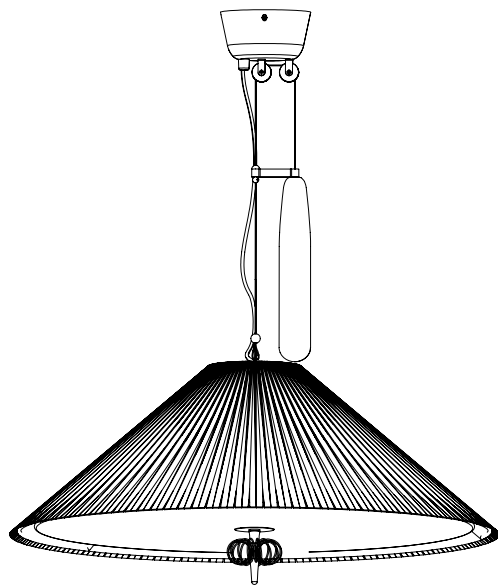
# GUBI

ASSEMBLY INSTRUCTIONS

*for*

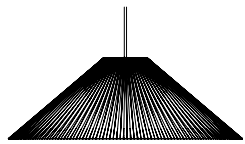
A1972 Pendant

---



### CONTENTS

A1972 Pendant



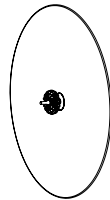
X1



X1



X1



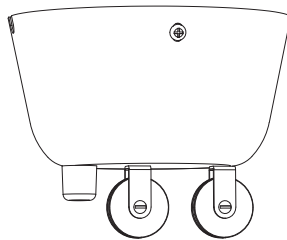
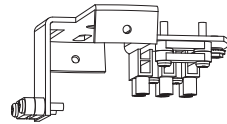
X1



X1

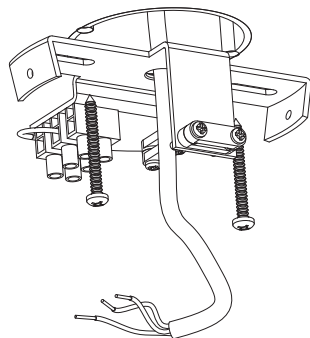
### 1.

Be aware of how you position your canopy. It can only be placed in one direction/position depending on how you attach the ceiling bracket.  
By built in outlet go to step 2.  
By outlet somewhere else go to step 4



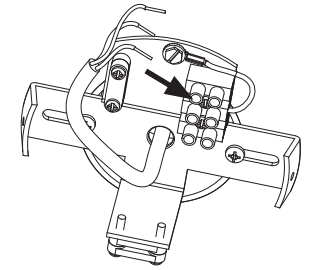
### 2.

Mount ceiling bracket to the built in outlet with appropriate screws.



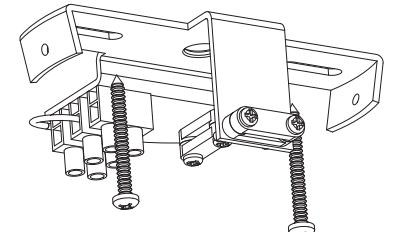
### 3.

Attach mains to the terminal block. Go to step 6.



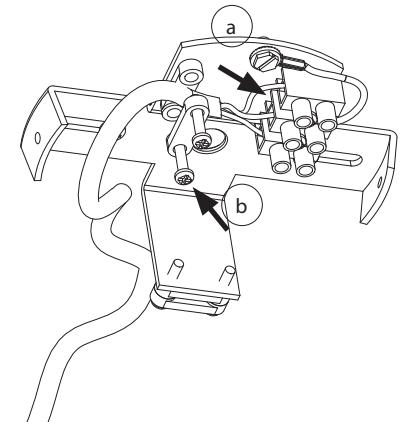
### 4.

Mount ceiling bracket to the ceiling with appropriate screws.



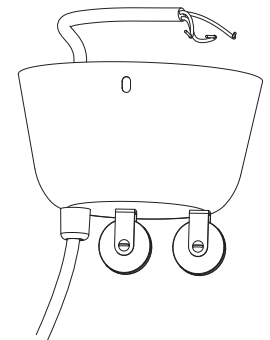
### 5.

Attach mains from external cable to the terminal block (a) and tighten the cable clamp bridge (b).  
Be aware the external cable can only enter from one position on the canopy.



### 6.

Pull cable through the canopy.



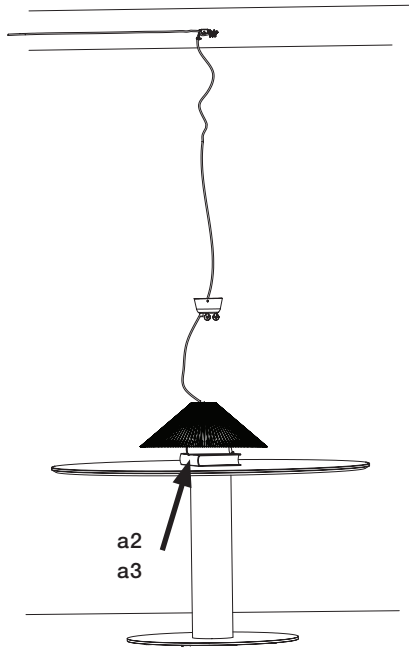
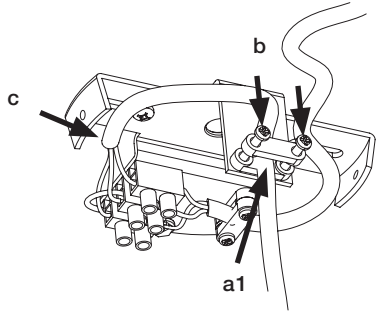
7.

a) Put cable through cable clamp in ceiling bracket (a1) leaving the lamp hanging in the lowest desired position (a2).

Use a hand or place support under the shade to hold it in horizontal position (a3).

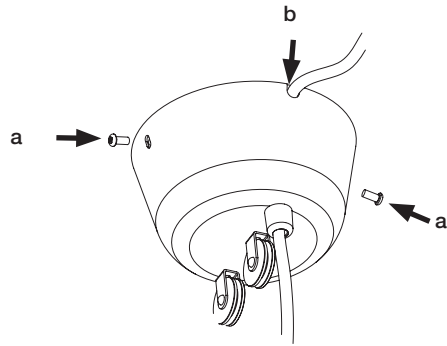
b) Tighten the two screws in the cable clamp (b).

c) Cut off cable and connect wires from the lamp to the other side of the terminal block.



8.

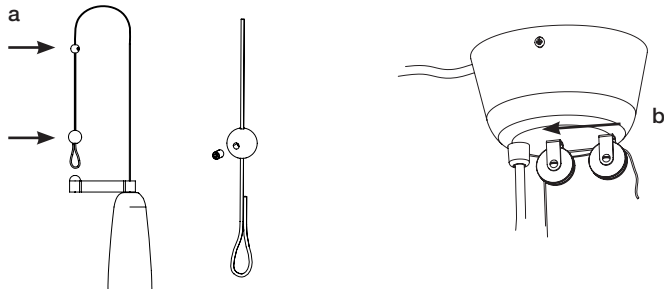
Attach canopy to ceiling bracket with the two side screws (a). If you have external cable remember to cut off the brick on the canopy edge with a tool (b).



9.

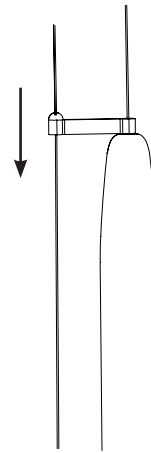
Loosen and remove brass balls from metal wire (a).

Pull wire through wheels on canopy. From right to left (b).



10.

Pull the steel wire through the bridge attached to the counterweight. From top.

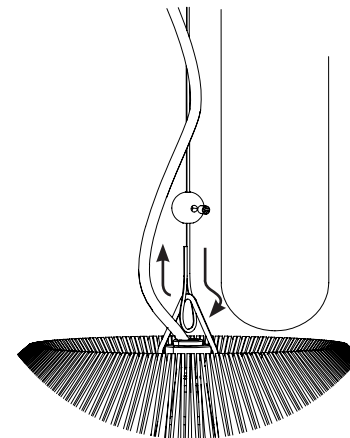


12.

Add brass balls to the metal wire. The small ball should be placed below bridge for counter weight.

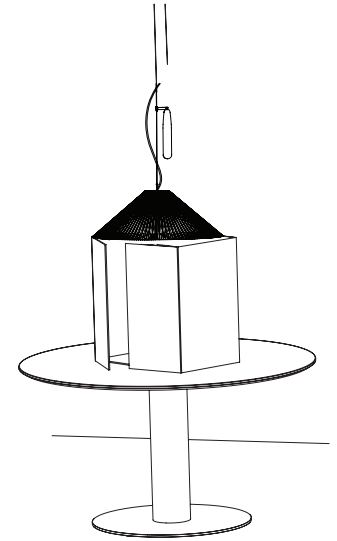
Metal wire should be installed through the large brass ball and secured around the triangle suspension on pendant.

Wire should be locked by returning metal wire through brass ball and properly tightened with set screw.

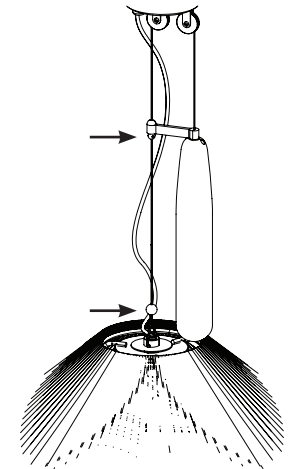


11.

Raise the lamp to the position where the lamp should be under normal/daily use.



For final adjustment of height, following step should be performed.

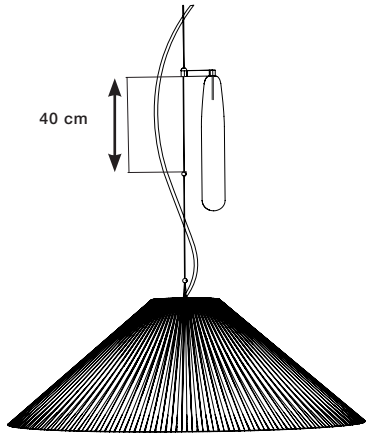


13.

Raise the bridge to a minimum distance of 40cm from the brass ball (13A).

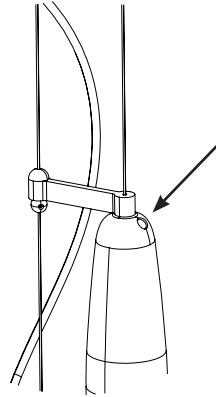
The distance between the bridge and the brass ball is what defines how much the pendant can be raised from the standard height. Fix brass ball

When the the appropriate height has been found cut the excess metal wire running through the large brass ball.



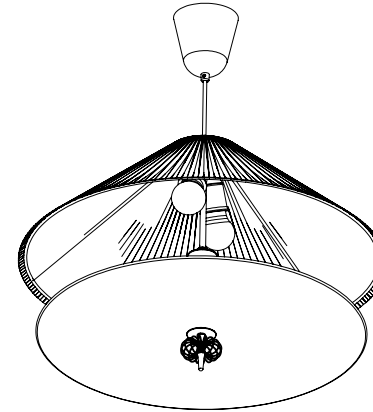
14.

Secure the wire by screwing the safety clip onto the wire, below the bridge.



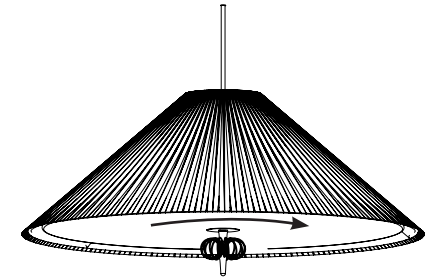
16.

Lift the fabric diffuser with two hands and place it in the center of the lamp. You will hear a click when the diffuser is in place.



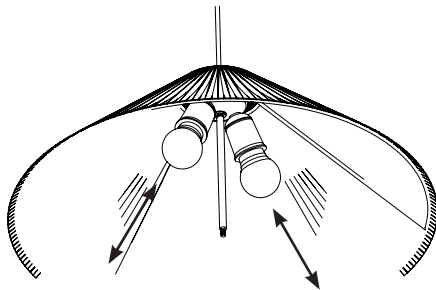
17.

Turn the center handle to secure the diffuser to the lamp.



15.

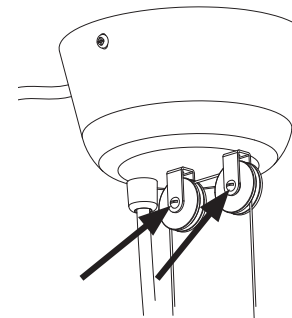
Insert light bulbs in the lamp.



18.

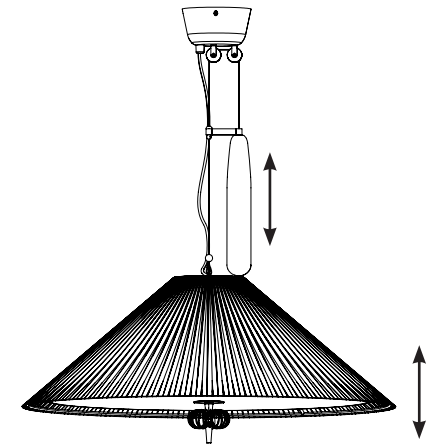
If the lamp moves downwards by itself or the movement doesn't work smoothly it is possible to increase the friction by adjusting the screws on the canopy wheels.

Be carefull not to release the brakes as this could cause the lamp to fall down.



19.

You are now able to move the lamp by pulling the lamp or the counter weight up or down.





## CARE INSTRUCTIONS

Daily cleaning can be done by wiping the pendant with a clean dry cloth. Should the surface need more attention this can be cleaned with water and a light detergent or soap applied with a damp cloth. Wipe after with a clean dry cloth. Avoid any abrasive materials.

## TROUBLESHOOTING

If lamp does not light, turn off the power. Check the bulb for a broken filament. Replace bulb if necessary, then turn it on. If the lamp still does not light, please contact customer service at the local dealer. If the external flexible cable or cord of this lamp is damaged, it must be replaced by a qualified electrician in order to avoid a hazard.

## TECHNICAL INFORMATION

Light sources: E27, MAX. 2x10W LED bulb (similar to 2x810 Lumen). Best result is achieved with frosted light bulbs with a CRI above 90. Turn power off when changing light bulb. Isolation class II. The lamp is not approved for outdoor use or use in damp/wet rooms (IP20).

## INSTALLATION

GUBI propose to be two persons when installing this product. In case of any doubts, lamp must be installed by a qualified electrician.



For enquiries contact GUBI A/S - CVR: 17940384  
Orientkaj 18-20. 2150 Nordhavn. Copenhagen, Denmark  
T +45 69 15 60 60 – [order@gubi.com](mailto:order@gubi.com)  
GUBI.COM