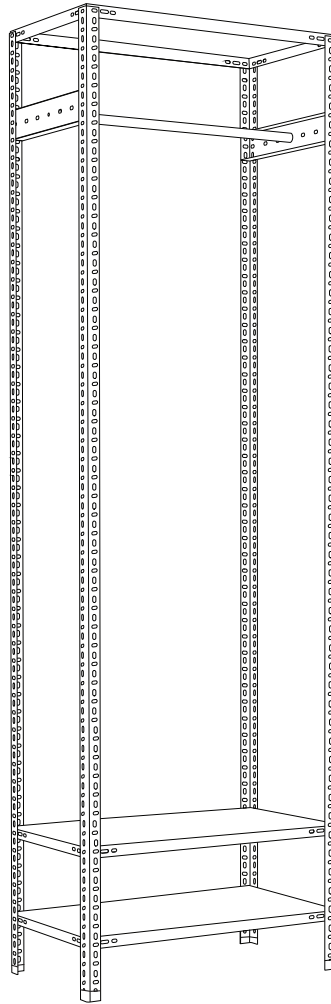


INSTRUCTION MANUAL

WARDROBE UNIT



HAY

HAY's Wardrobe Unit provides a functional and simple storage solution for bedrooms or other home spaces. The steel frame features exposed bolts that reinforce its raw, industrial look.

Available in different colors.

CARE AND MAINTENANCE

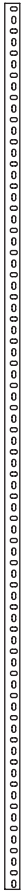
CAUTION

- With a little care you can prolong the life of your furniture. Follow the instructions for the materials of your specific product to make sure that it stays in the best shape for as long as possible.
- The information below is only intended as a general guideline. For more information on how to remove specific stains, please enquire where you bought the furniture.
- Always remove stains quickly before they can do any permanent damage to the furniture.
- When you move your furniture, make sure you lift it rather than pulling or pushing it to avoid damaging the floor, legs and mountings.
- Tighten up the screws after one to two months' use and whenever required.
- Be careful not to scratch or damage the surface with sharp objects.

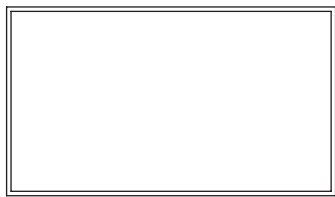
POWDER COATED STEEL

- Wipe with a clean cloth wrung in water or in a solution of water and a neutral detergent. Remove soap residue immediately using a clean, dry cloth.
- Avoid using scouring cream or scouring pads, as they may scratch the surface.

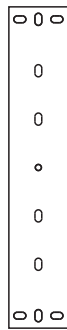
PARTS



A x 4



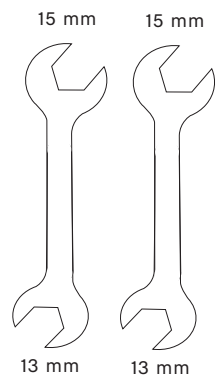
B x 3



C x 2



D x 1



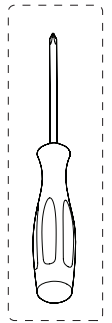
15 mm

15 mm

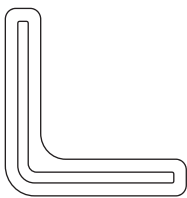
13 mm

13 mm

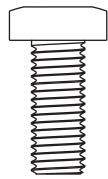
Included tools



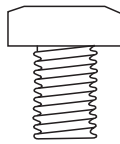
Necessary tools



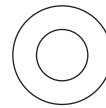
E x 4



F x 2



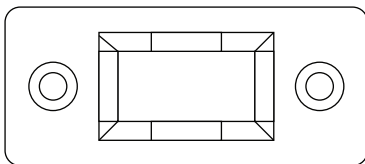
G x 36



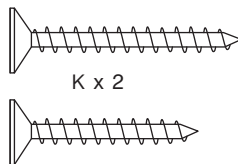
H x 76



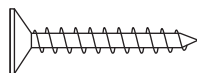
I x 36



J x 2



K x 2



L x 2



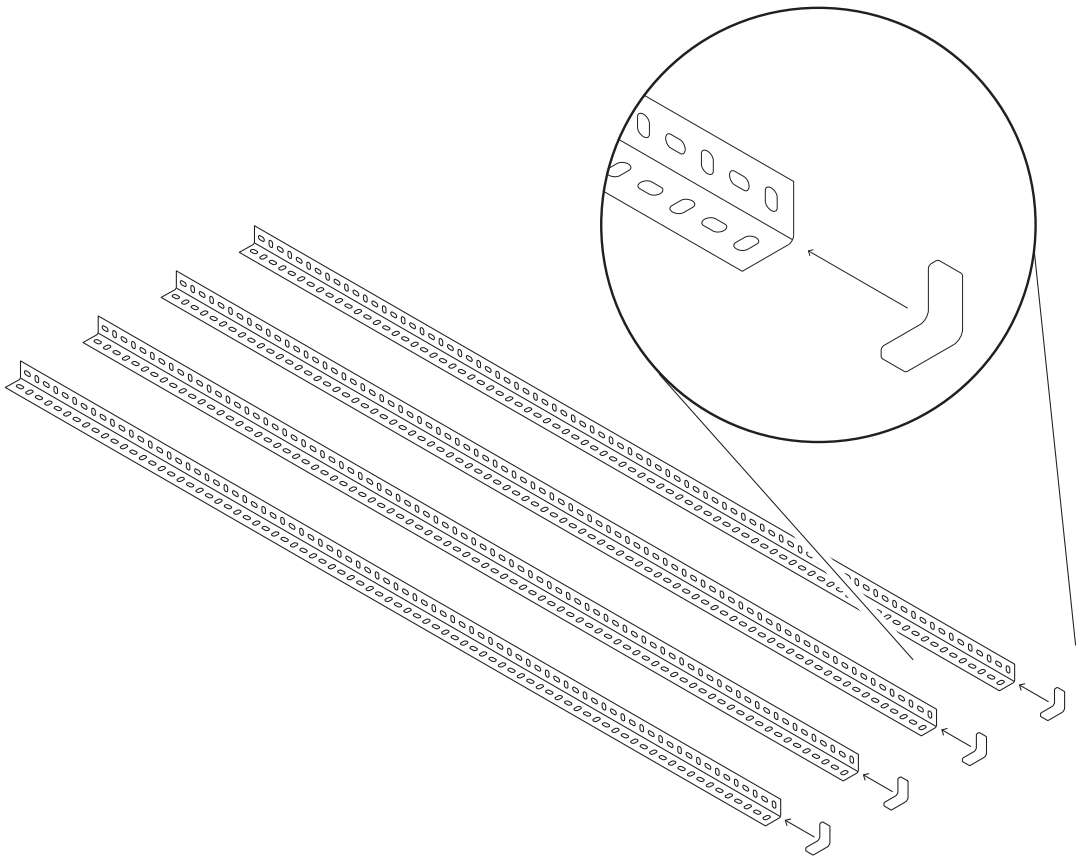
M x 1

1.

While assembling, keep the shelves inside the cardboard box in order to protect the shelves from scratches etc. Make sure that all parts are included before you begin.

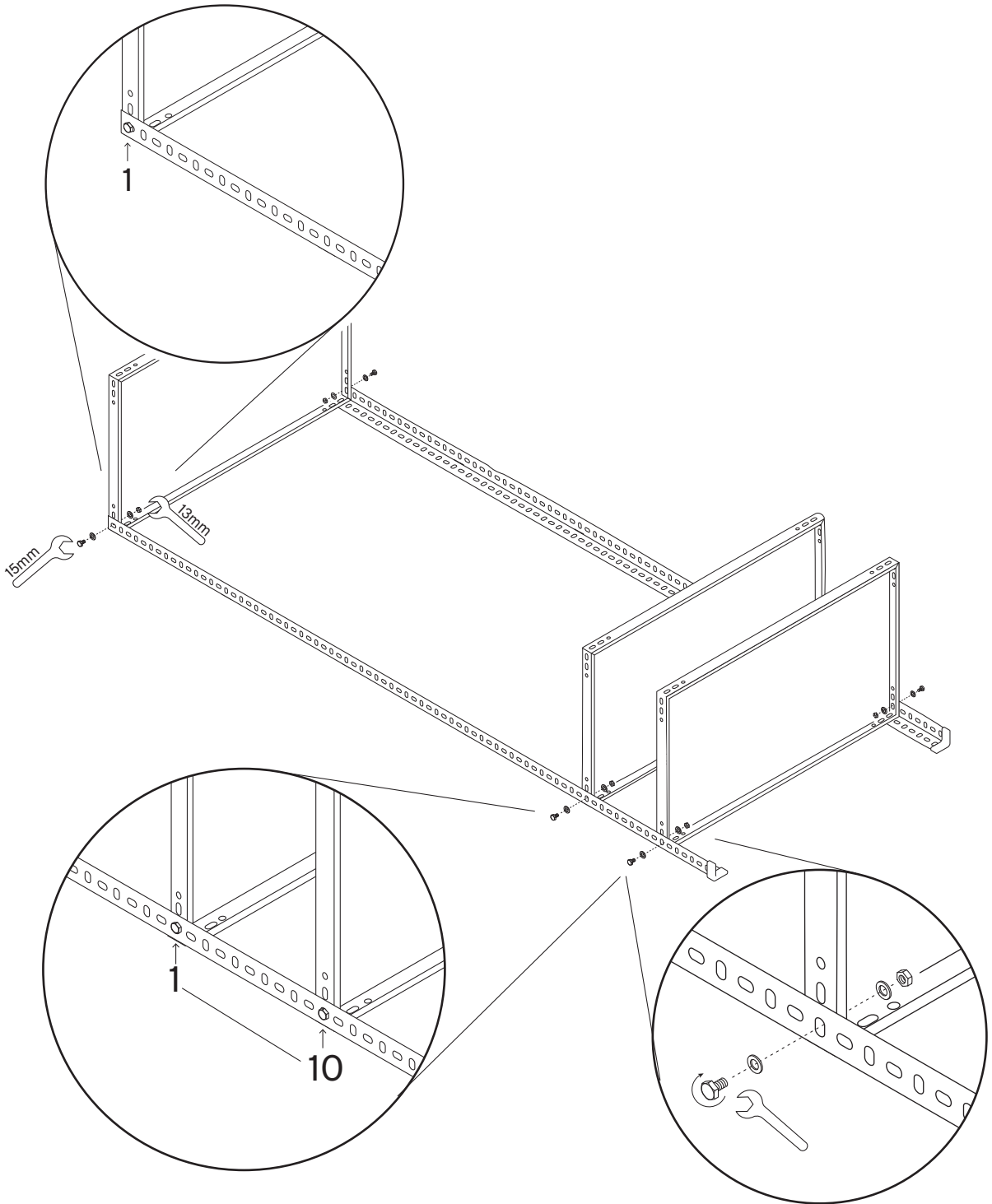
2.

Slide the gliders (E) onto the profiles (A). Make sure all profiles are oriented in the same direction with the horizontal holes at the bottom.



3.

Align the shelves (B) with two profiles (A) as shown in the drawing below.
Screw the profiles (A) onto the shelves (B), using the bolts (G), washers (H) and nuts (I).
Refer to the details in the drawing below concerning the recommended number
of holes between each shelf.



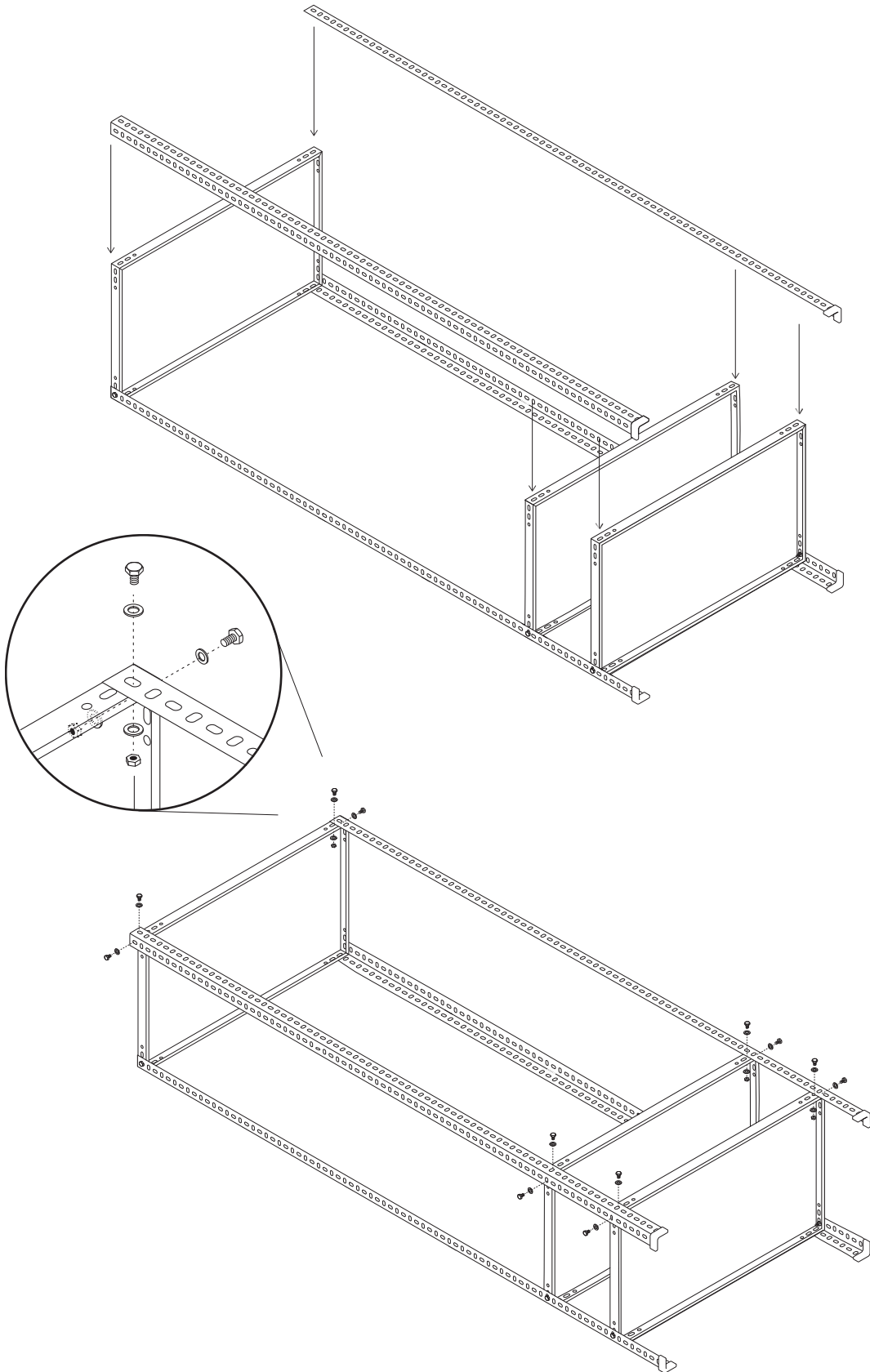
Do not tighten bolts completely until step 8.

4.

Align the two remaining profiles (A) with the shelves (B).

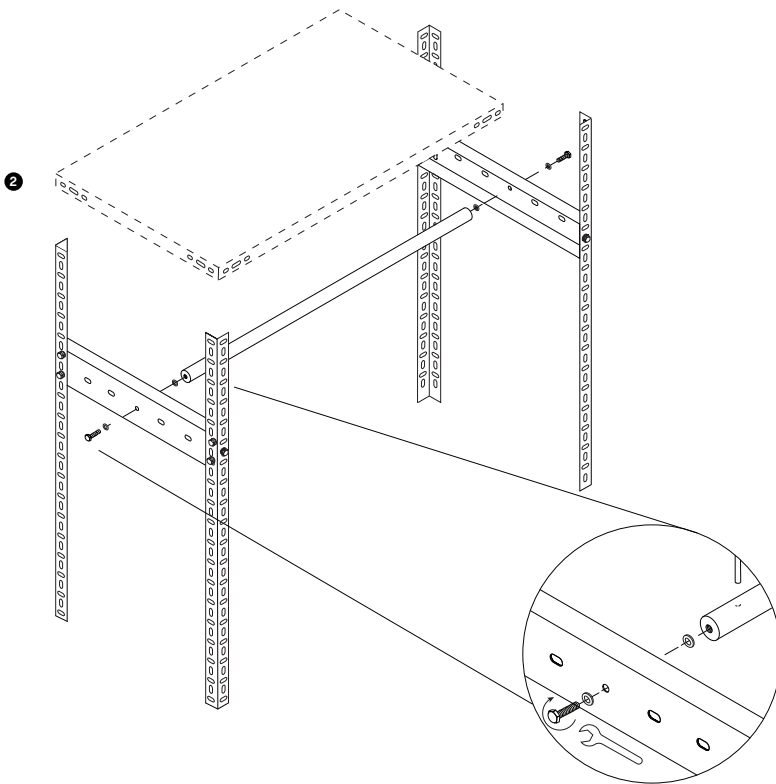
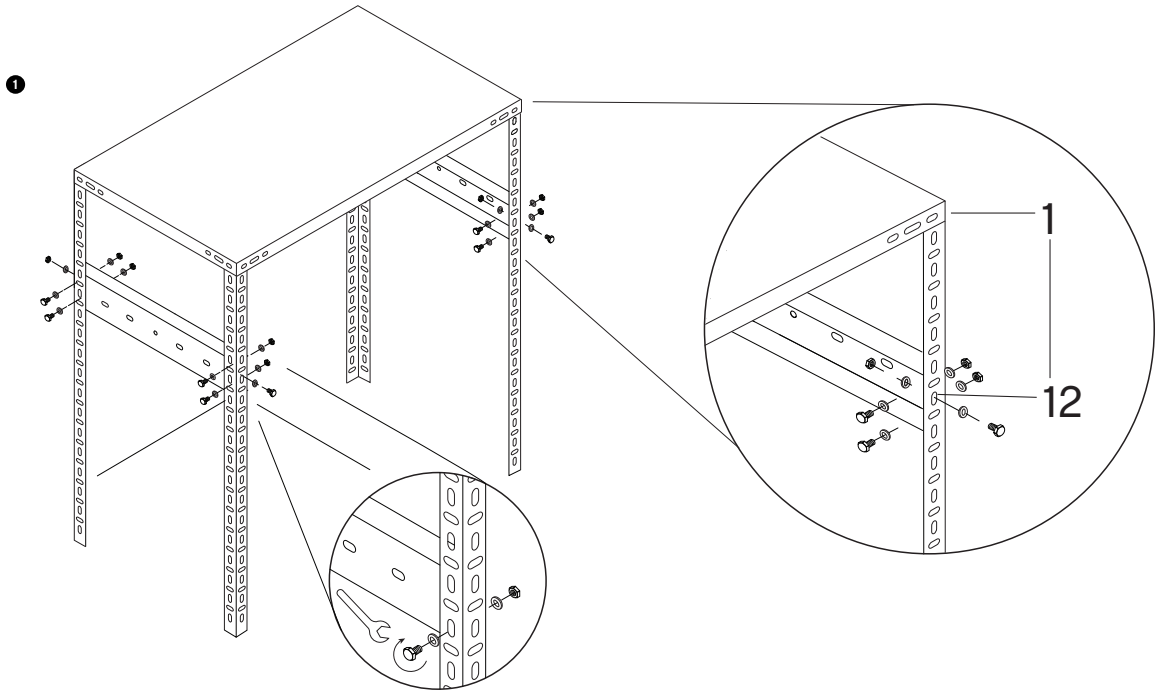
Screw the profiles (A) onto the side and front of the shelves (B), using the bolts (G), washers (H) and nuts (I).

Make sure they are not completely tightened.



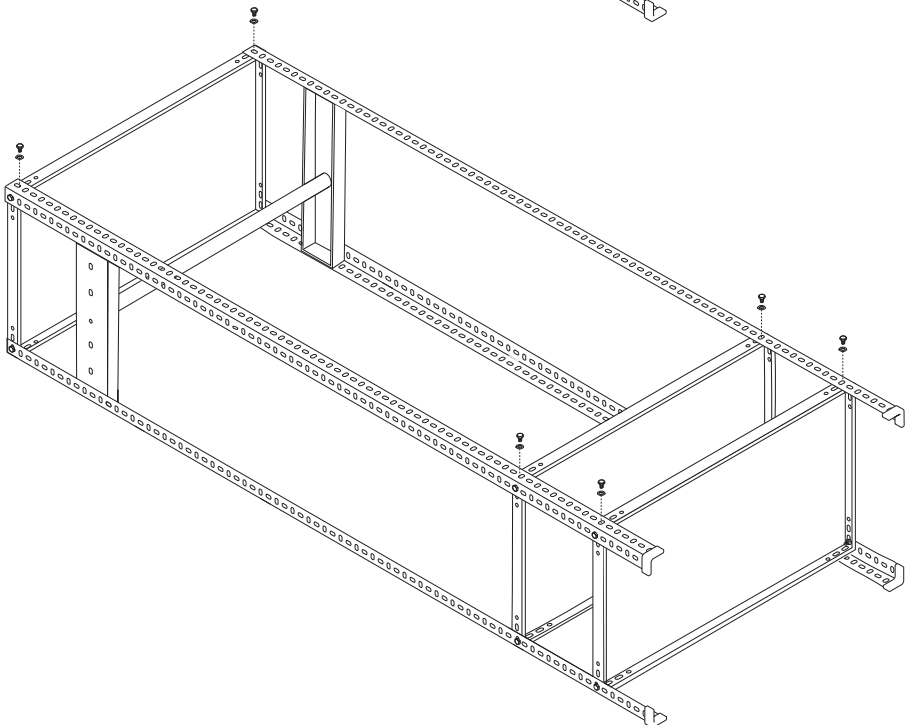
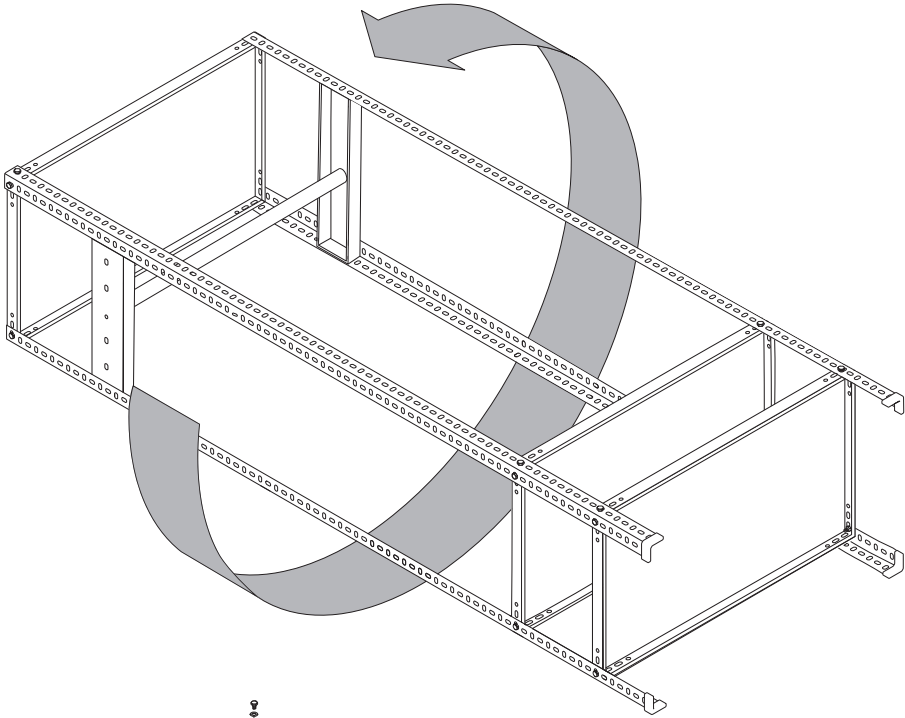
5.

- (1) Screw the side bar (C) to connect the profiles (B), using the bolts (G), washers (H) and nuts (I).
- (2) Screw the rod (D) to the side bar (C), using the bolts (F) and the washers (H).



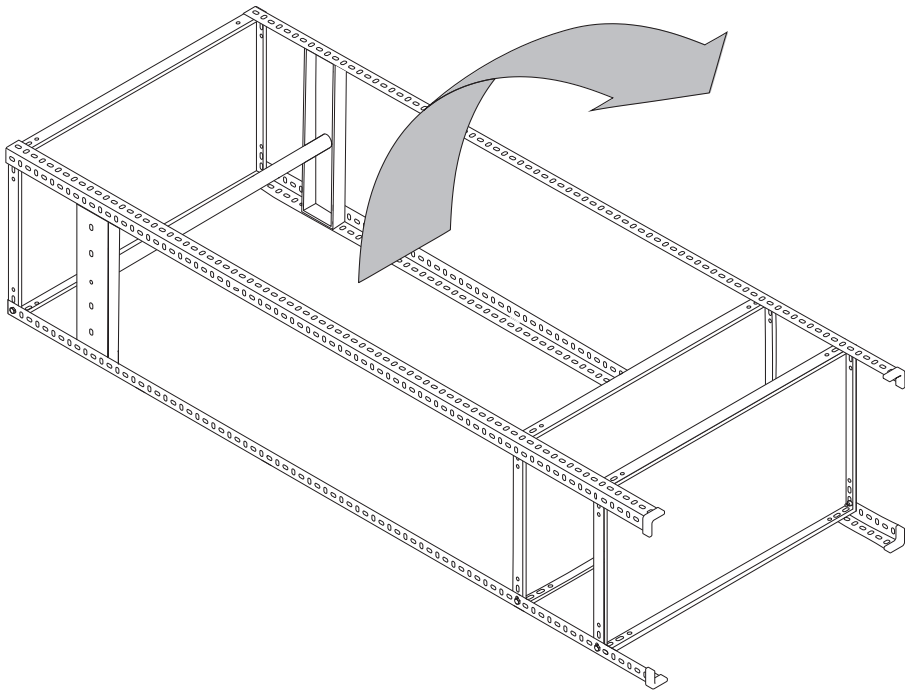
6.

Turn the shelf over (two people are recommended)
and screw the profiles (A) to the back of the shelves (B), using the bolts (G), washers (H) and nuts (I).



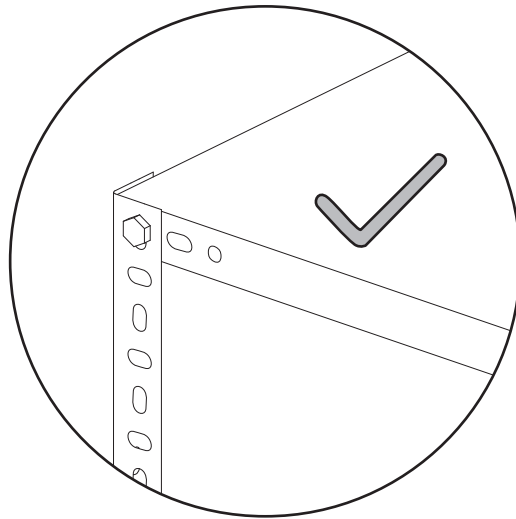
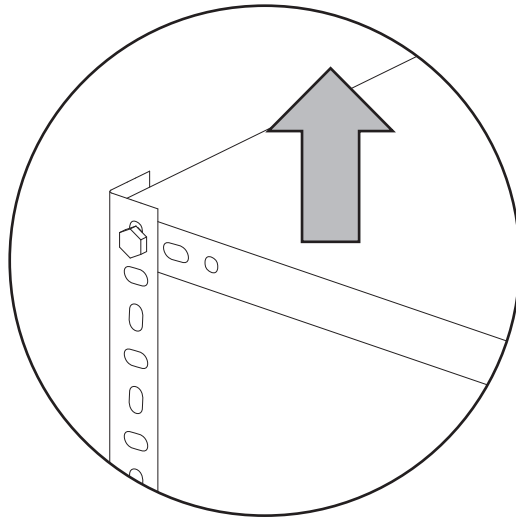
7.

Turn the shelf into an upright position (two people are recommended).



8.

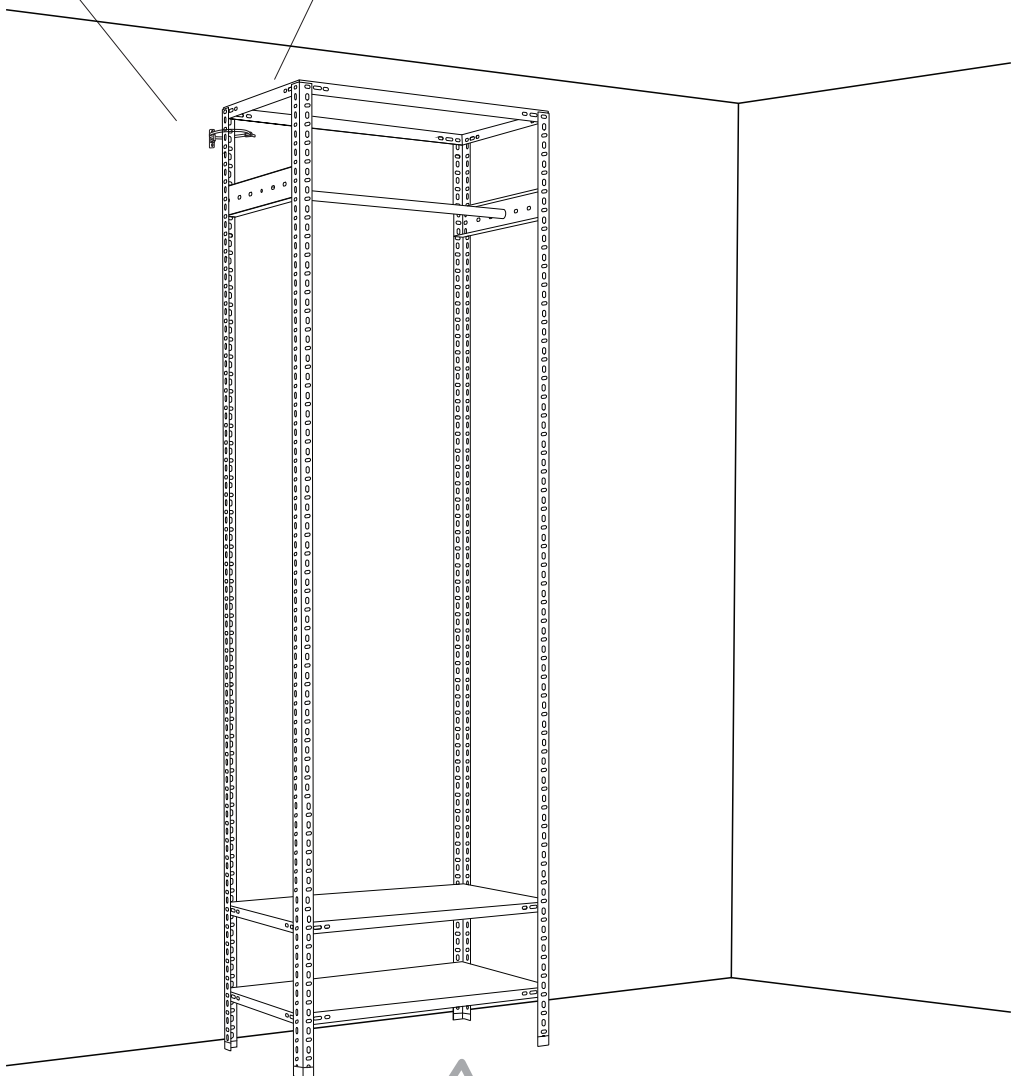
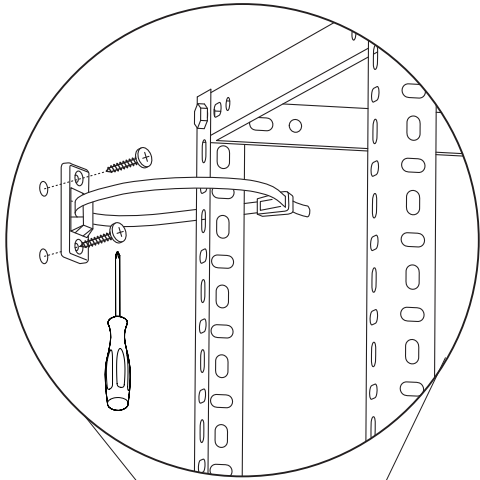
Adjust the top shelf until it is almost level with the profiles. Then tighten all bolts completely.



Tighten all bolts completely.
Shelf will only become fully stable when all bolts are firmly tightend.

9.

Screw the tip-over restraint bracket (J) into a wall stud. Be sure to use an anchoring system appropriate for your wall material. Use the detachable strap (M) to secure the profile to the bracket, near the top of the shelf.



Max weight load 45 kg/ 101 lbs per shelf

Havnen 1 8700 Horsens Denmark
www.hay.com

HAY