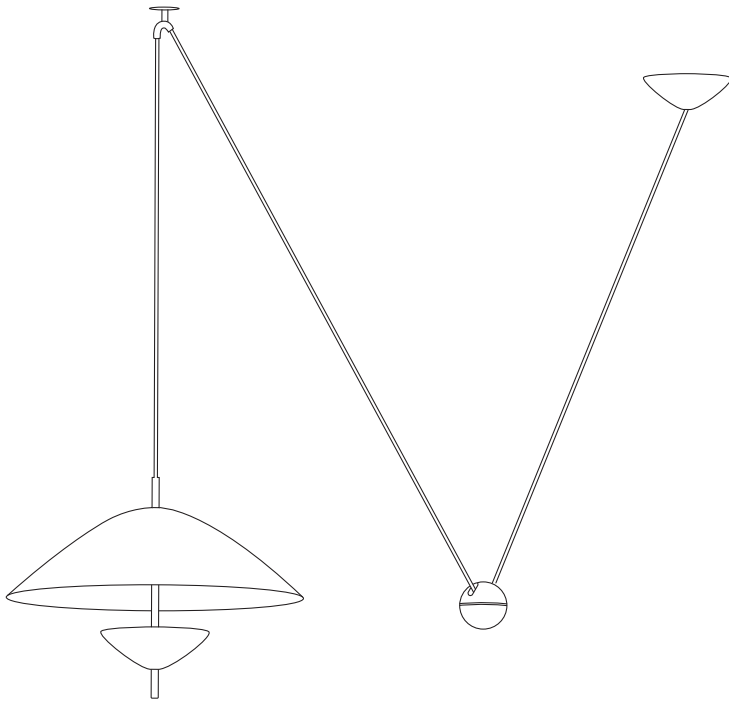


Lod Pendant

Assembly manual



ferm
L I V I N G

General Instructions

PLEASE READ BEFORE INSTALLATION

WARNING:

The safety of this fitting can only be guaranteed if the following instructions are observed during both installation and use. Please retain these instructions safely after installation.

PLEASE OBSERVE THE FOLLOWING GUIDELINES:

- Ensure that the power supply has been switched off prior to installation or removal of the product.
- Never undertake an electrical installation without the proper knowledge or training. If not familiar with electrical wiring, contact a qualified electrician.
- The product may in no way be modified or tampered with. Any modification may compromise safety and make the product itself dangerous to use. FERM LIVING does not accept any responsibility for products that have been modified.
- This product requires the use of a lightbulb that is not included. Please use a lightbulb that has the relevant safety certifications and approvals for your area.
- Any modification must be performed only by qualified personnel to avoid any danger.
- This product is meant for indoor use only.
- This appliance should not be disposed in a domestic trash receptacle and should instead be recycled appropriately.

CLEANING INSTRUCTIONS:

- Use only a soft cloth to clean the product.

MORE INFORMATION:

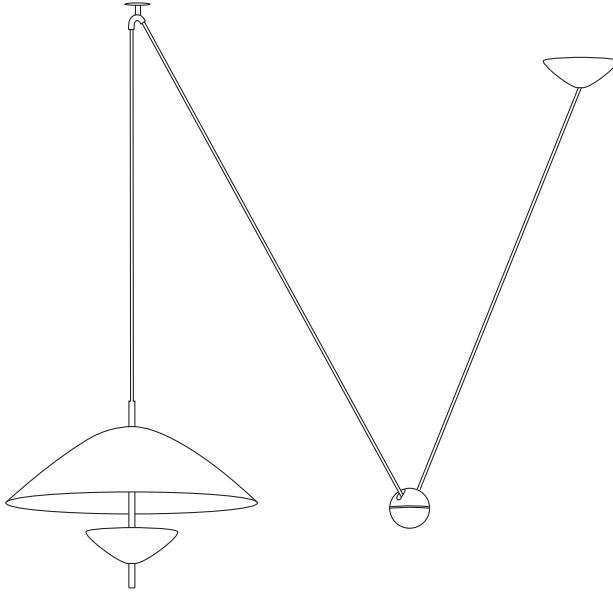
To access further information such as product overview and material descriptions, please visit our website at www.fermliving.com. If you have any questions or comments, please do not hesitate to contact us at info@fermliving.com.

Technical Specifications

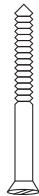
LOD PENDANT:

Voltage:	220-240V – 50Hz
Dimmable:	No
Certification:	CE, IP20 Class II
Socket:	G9 socket base
Recommended light source:	3 pcs bulb max 7W LED (light bulb not included)

Box Content



1 x Lamp



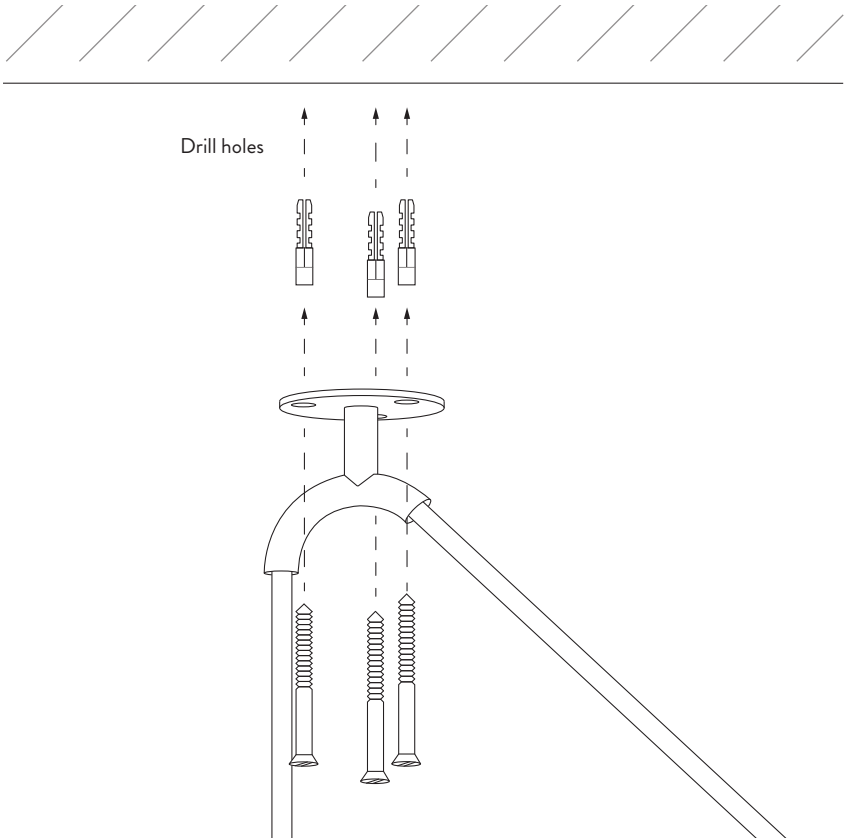
5 x
Screws for ceiling
bracket & canopy



5 x
Rawplugs

Assembly Process

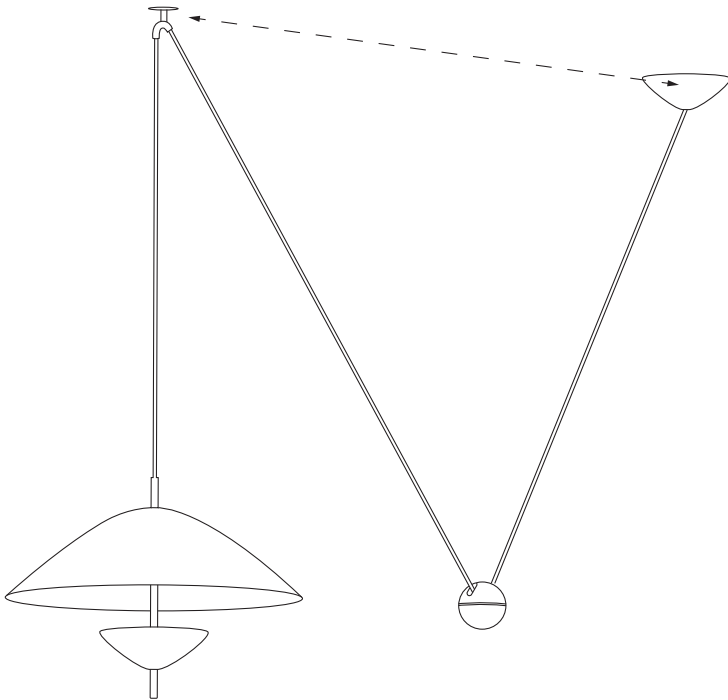
1



Use the ceiling bracket to mark the three holes' positions. Drill the holes and insert the rawplugs. Fix the ceiling's bracket thank to the 3 long screws.

Assembly Process

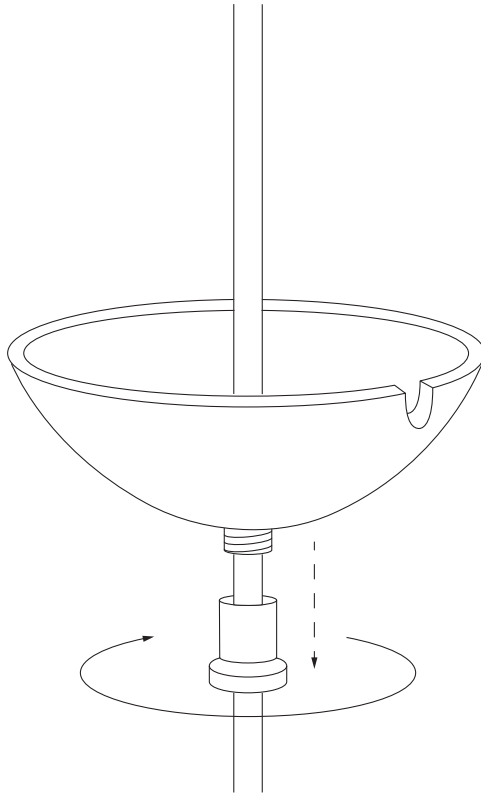
2



Measure the distance you want between the ceiling bracket and the canopy. Make sure the counterweight sphere is not in the way. Mark the position of the canopy.

Assembly Process

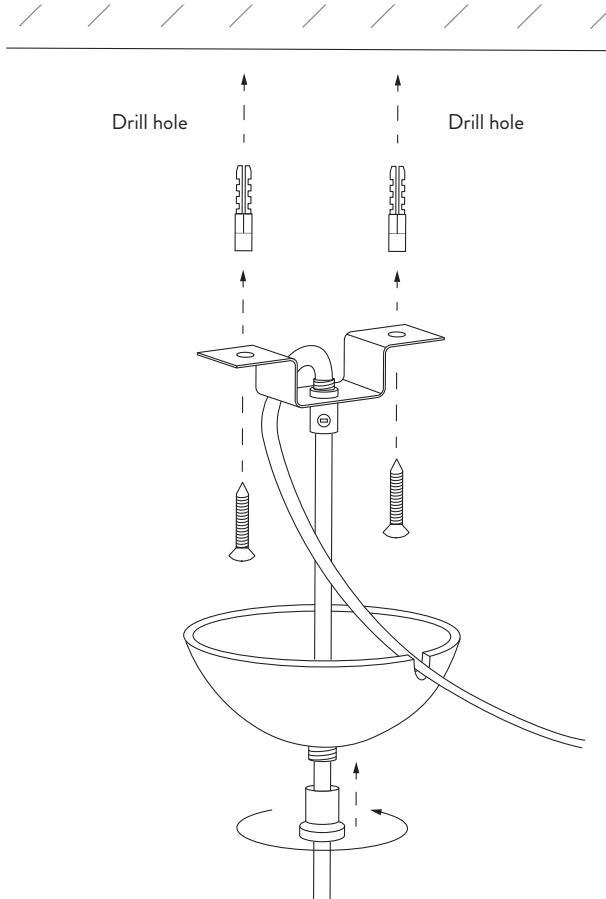
3



Unscrew the rod at the bottom of the canopy and remove the canopy cover.

Assembly Process

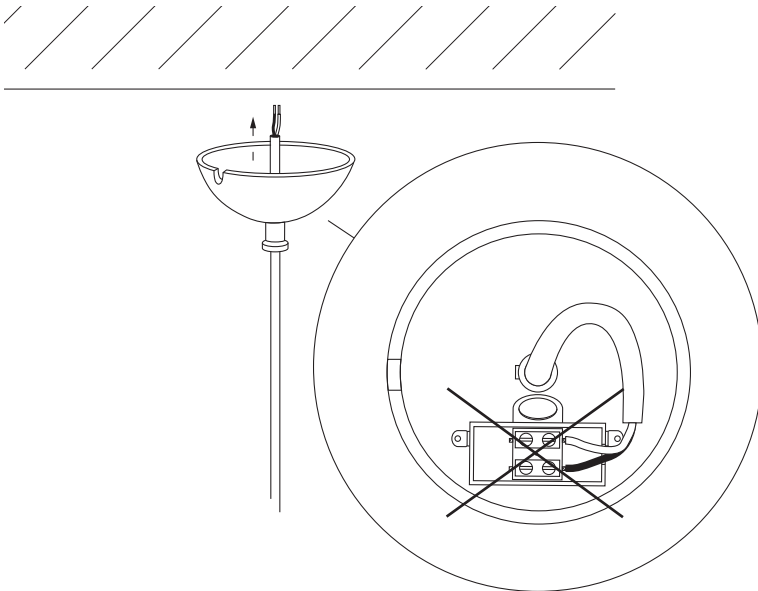
4



Drill the holes for the rawplugs then install the canopy bracket into the ceiling, make sure that the cable is well positioned in the slit. Secure the canopy cover by screwing it back.

Assembly Process

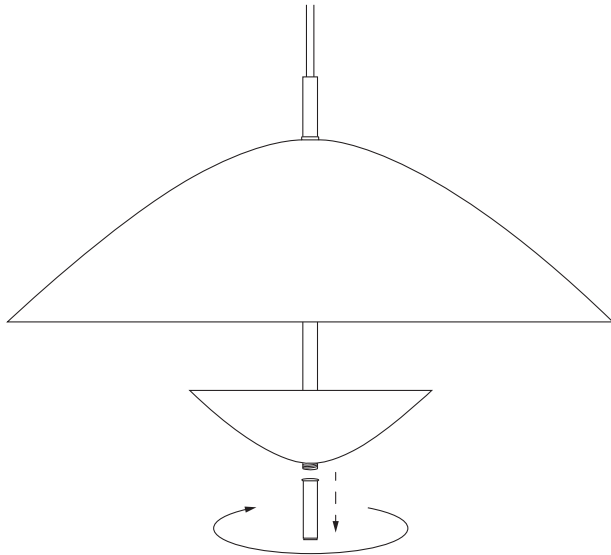
4b



Option B:
Remove the connector and connect cable
directly to electrical wiring in the ceiling.

Assembly Process

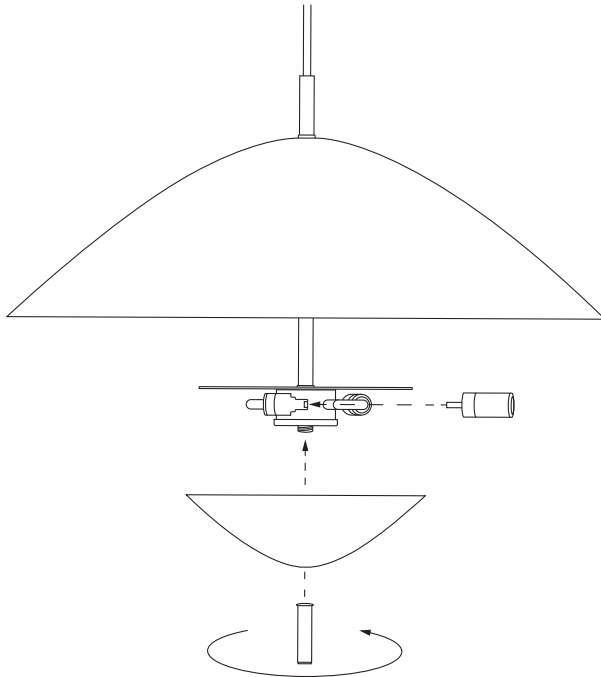
5



Unscrew the rod at the bottom of the lamp and remove the cover.

Assembly Process

6



Plug the three G9 bulbs (not included), place the cover back, then, screw the bottom rod.

fermliving.com